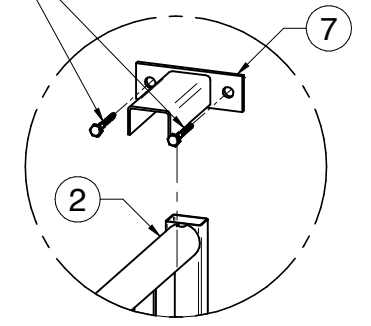
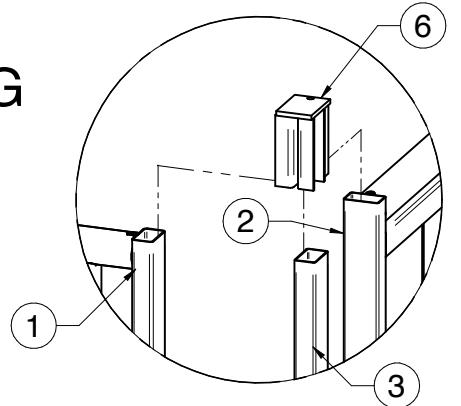


NON FOURNIE

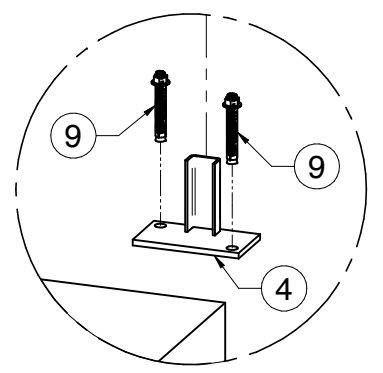
Detail F



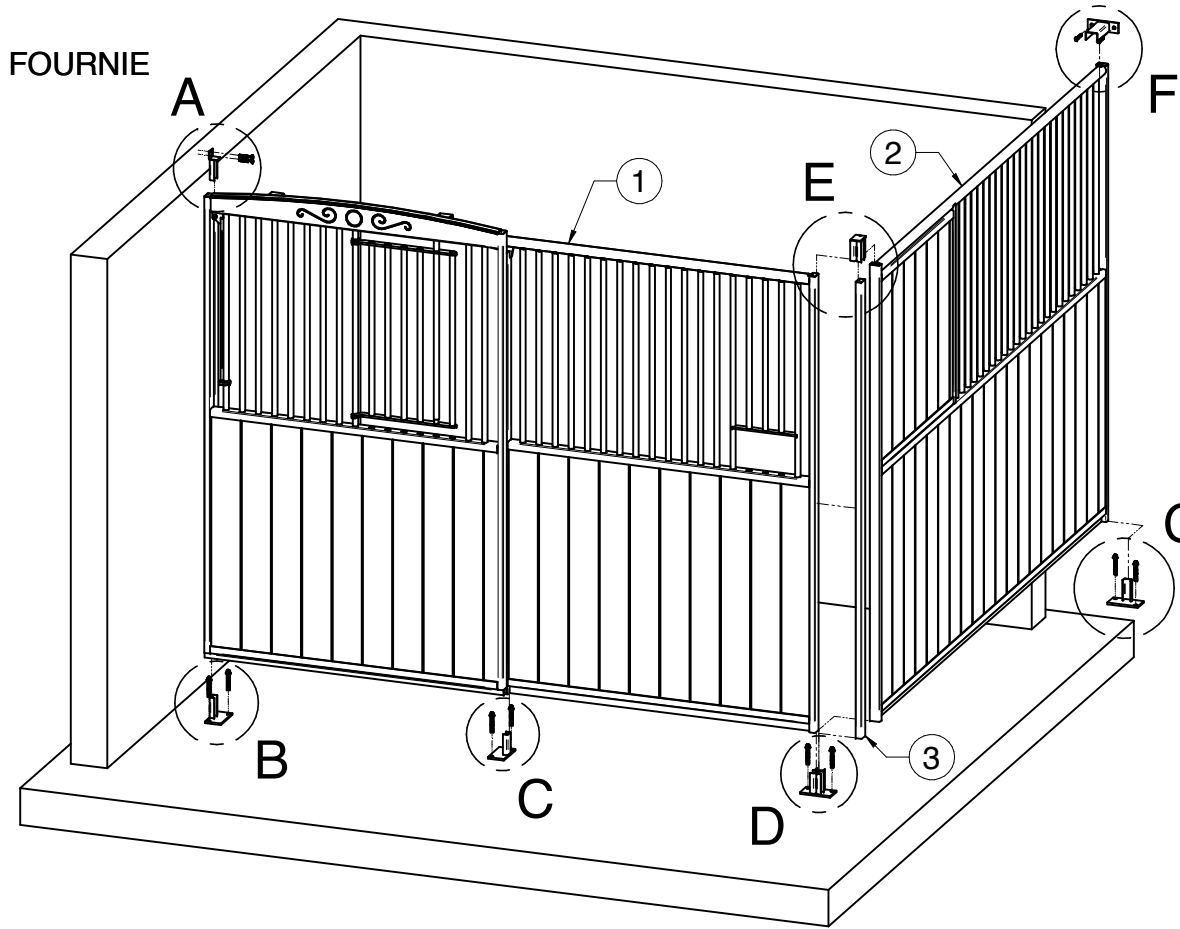
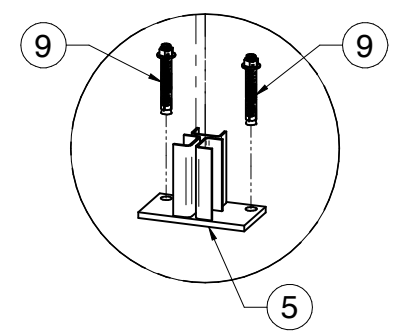
Detail E



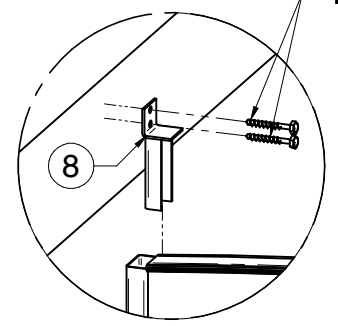
Detail G



Detail D

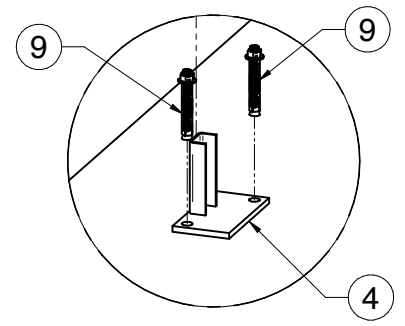


Detail A

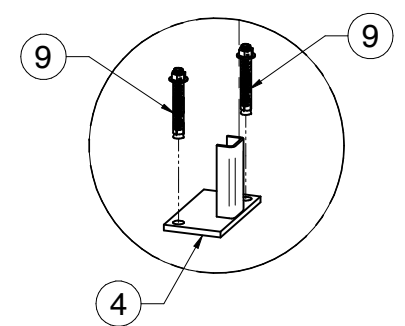


NON FOURNIE

Detail B



Detail C



LISTE DES PARTIES

No.	Ensemble	Pcs.
1	F0101	1
2	F0306	1
3	21014 (EN OPTION)	1
4	AA0101	3
5	AB0102	1
6	AH0102	1
7	AC0101	1
8	BC0106	1
9	VIS BETON 14x80	8

MONTAGE (FX101)
FACADE+SEPARATION (BOX)