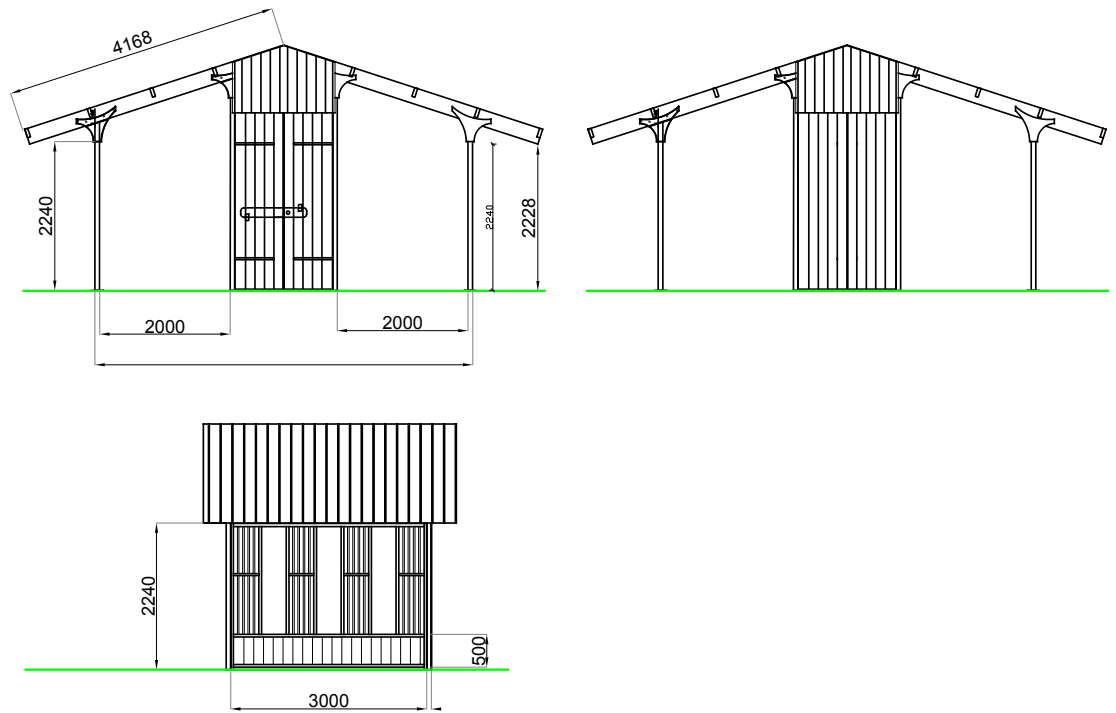
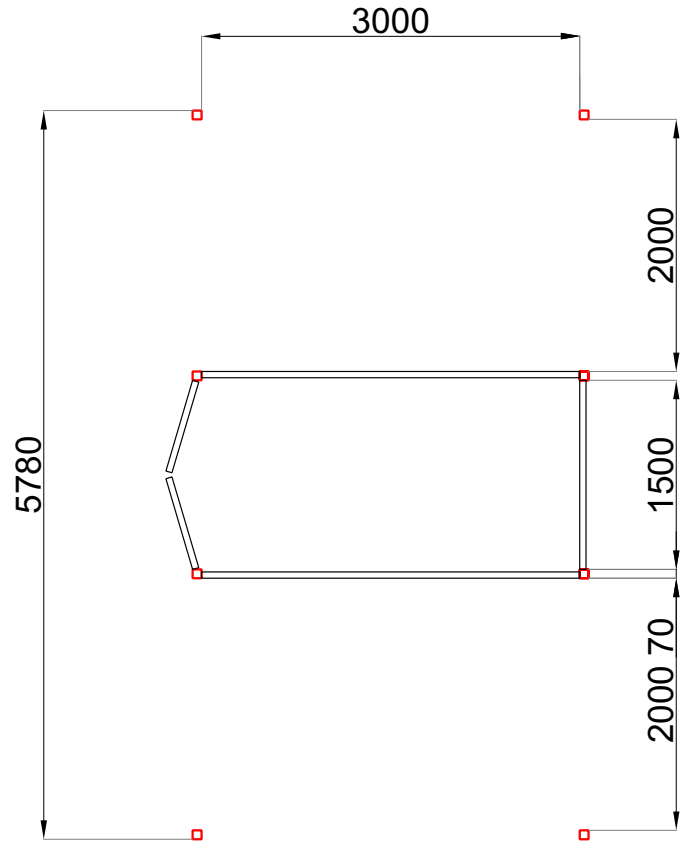


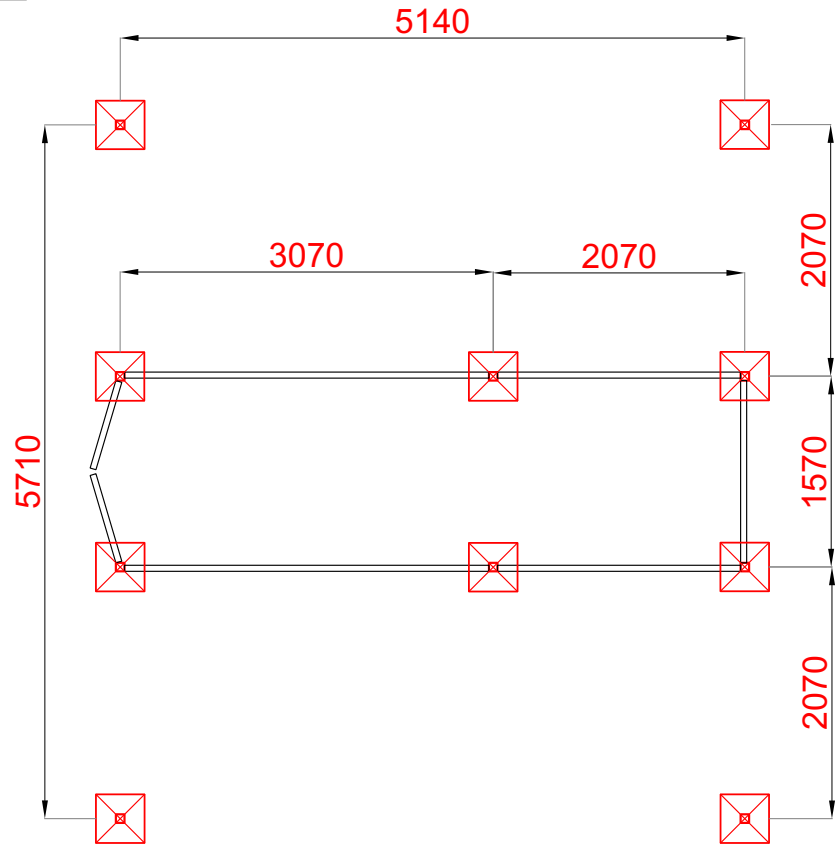
Façades - Ech: 1/100




PLAN - Ech: 1/50

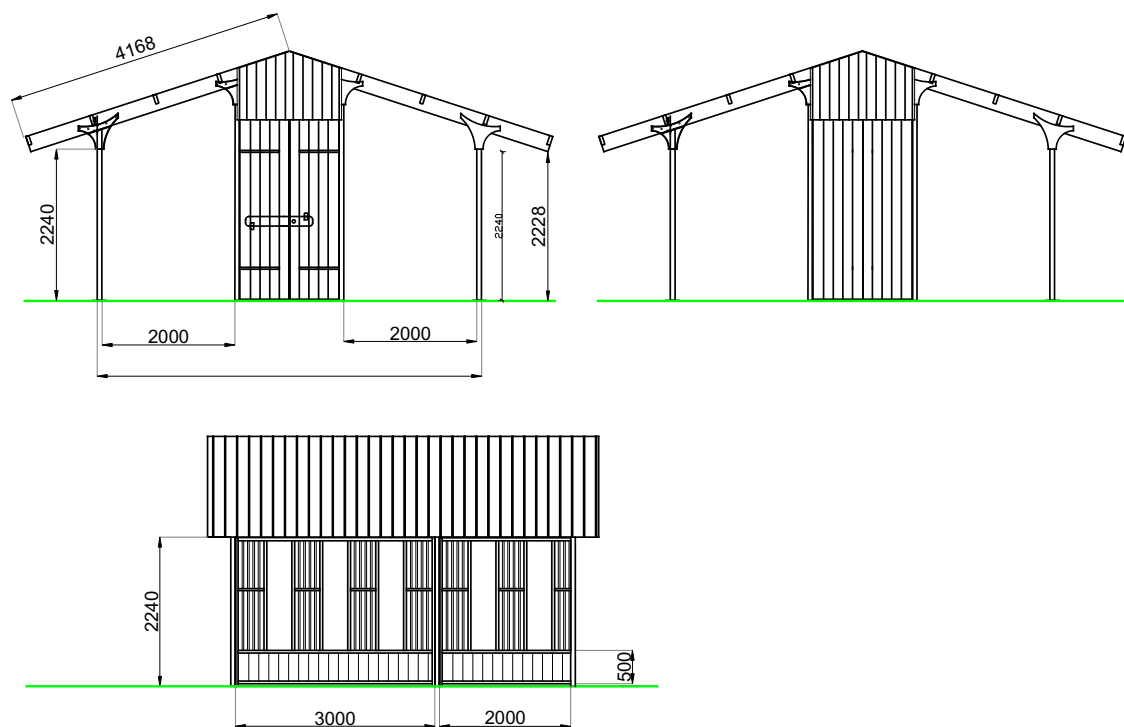


PLAN - Ech: 1/50

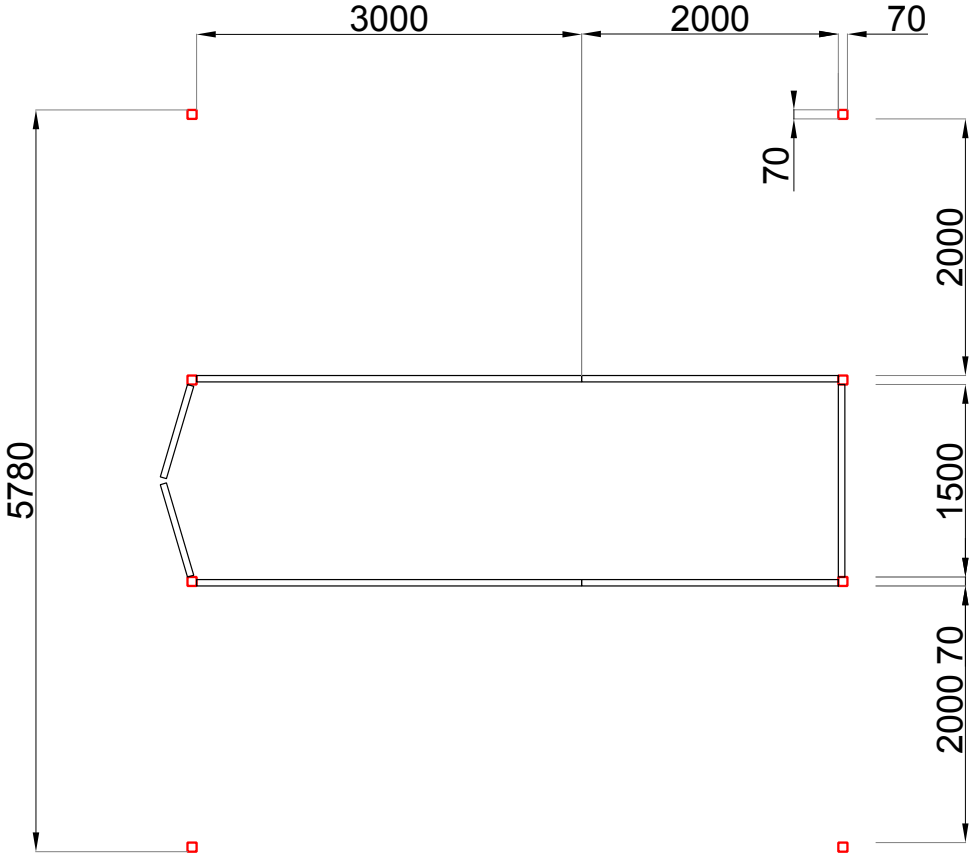


 Plot béton = 40 x 40 x 40 cm


Façades - Ech: 1/100



PLAN - Ech: 1/50



PLots - Ech: 1/50

 Plots béton = 40x40x40cm

