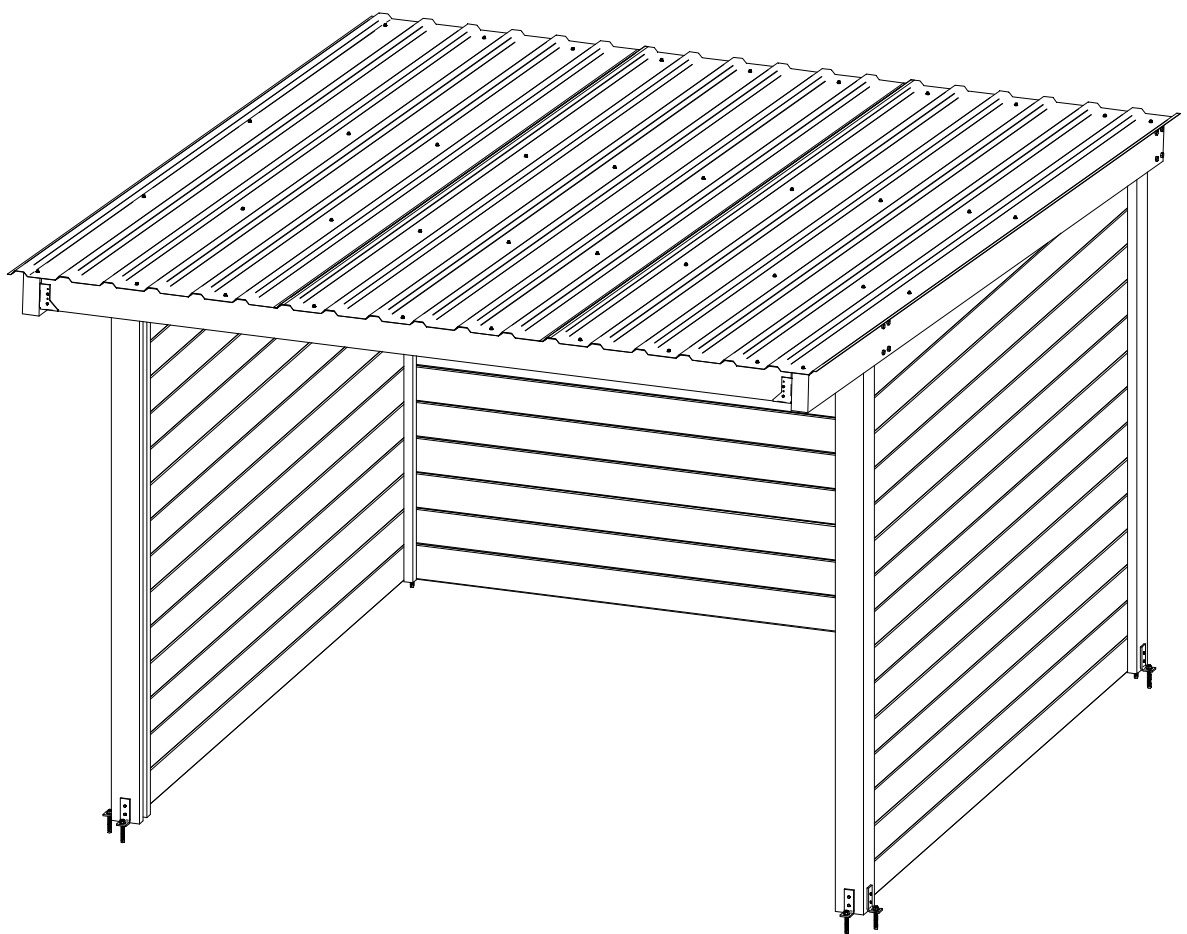
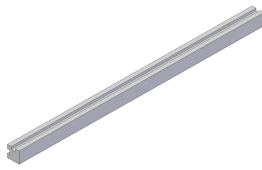
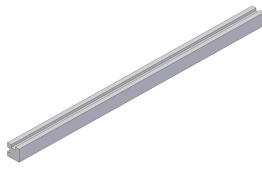
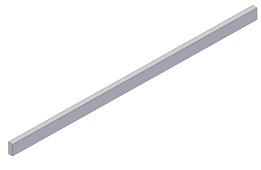
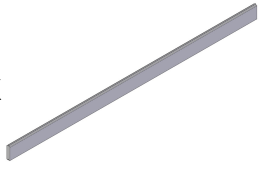
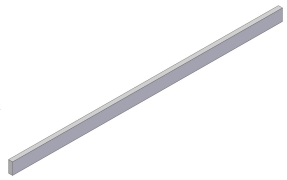
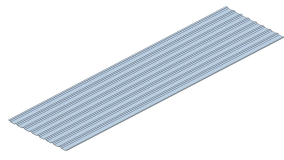
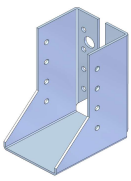
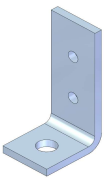









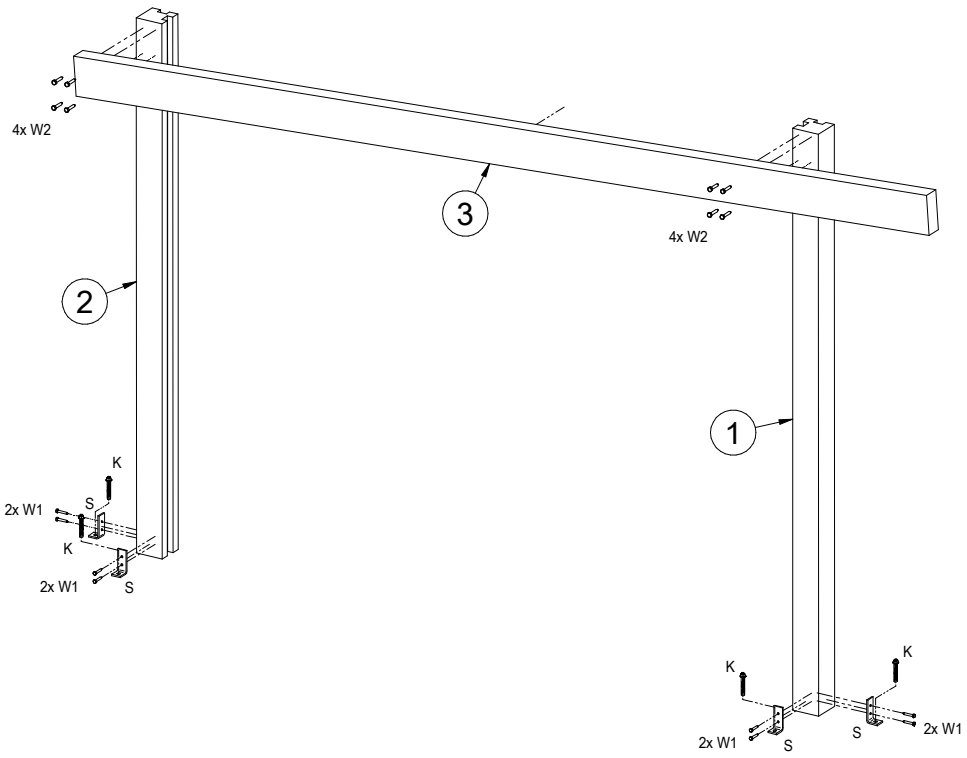
ABRI CONFORT NABRITG3TFSW 3 x 3 m MANUAL



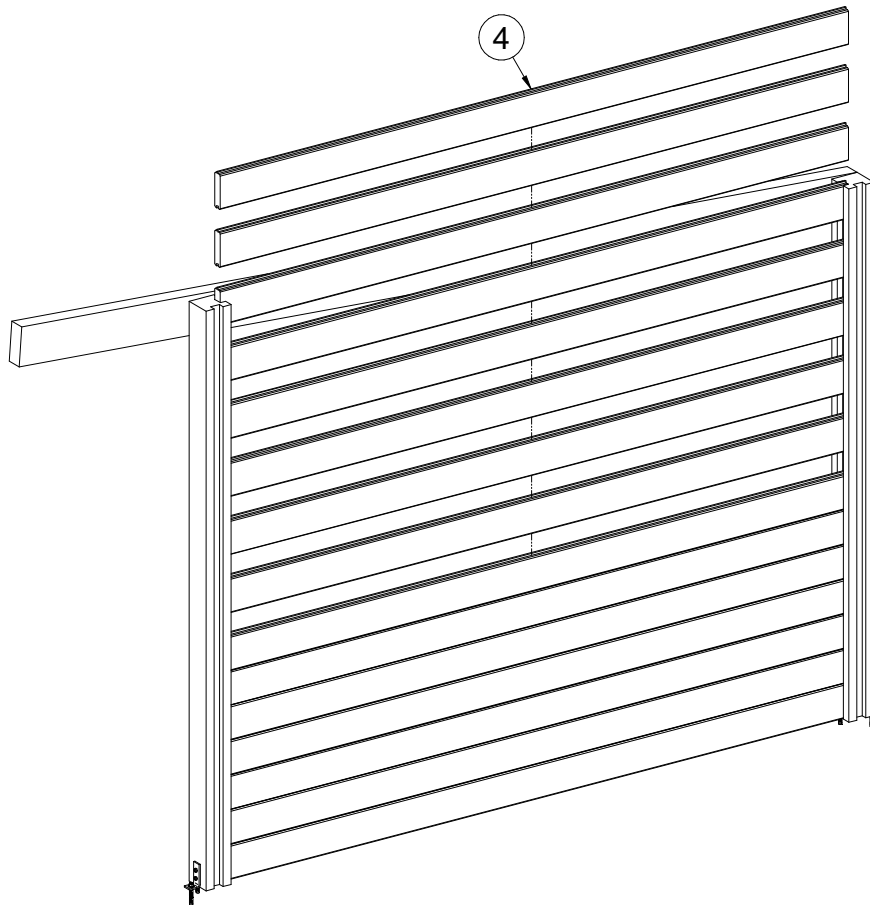
NABRITG3TFSW - LIST OF PARTS

<p style="text-align: center;">① SP2700</p> <p style="font-size: 2em; font-weight: bold;">2x</p>  <p style="text-align: center;">Column 120x120x2700</p>	<p style="text-align: center;">② ST2500</p> <p style="font-size: 2em; font-weight: bold;">2x</p>  <p style="text-align: center;">Column 120x120x2500</p>	<p style="text-align: center;">③</p> <p style="font-size: 2em; font-weight: bold;">2x</p>  <p style="text-align: center;">Rafter 70x170x4000</p>
<p style="text-align: center;">④</p> <p style="font-size: 2em; font-weight: bold;">60x</p>  <p style="text-align: center;">Plank 40x150x3000</p>	<p style="text-align: center;">⑤</p> <p style="font-size: 2em; font-weight: bold;">3x</p>  <p style="text-align: center;">Purlin 48x140x3180</p>	<p style="text-align: center;">⑥</p> <p style="font-size: 2em; font-weight: bold;">3x</p>  <p style="text-align: center;">Delivered in 2 parts: -2800mm, -1450mm BTD-18</p>
<p style="text-align: center;">(B)</p> <p style="font-size: 2em; font-weight: bold;">6x</p>  <p style="text-align: center;">BMF</p>	<p style="text-align: center;">(S)</p> <p style="font-size: 2em; font-weight: bold;">11x</p>  <p style="text-align: center;">Angle footing plate</p>	<p style="text-align: center;">(K)</p> <p style="font-size: 2em; font-weight: bold;">11x</p>  <p style="text-align: center;">Concrete anchor 14x80</p>
<p style="text-align: center;">(W)</p> <p style="font-size: 2em; font-weight: bold;">16x</p>  <p style="text-align: center;">Screw 8x50</p>	<p style="text-align: center;">(W)</p> <p style="font-size: 2em; font-weight: bold;">16x</p>  <p style="text-align: center;">Screw 8x120</p>	<p style="text-align: center;">(W)</p> <p style="font-size: 2em; font-weight: bold;">50x</p>  <p style="text-align: center;">Screw 5x40 for BMF</p>
<p style="text-align: center;">(W)</p> <p style="font-size: 2em; font-weight: bold;">40x</p>  <p style="text-align: center;">Screw for BTD-18</p>	<p style="text-align: center;">(W)</p> <p style="font-size: 2em; font-weight: bold;">40x</p>  <p style="text-align: center;">Screw 5x70</p>	<p style="text-align: center;">(W)</p> <p style="font-size: 2em; font-weight: bold;">6x</p>  <p style="text-align: center;">Screw 5x40</p>

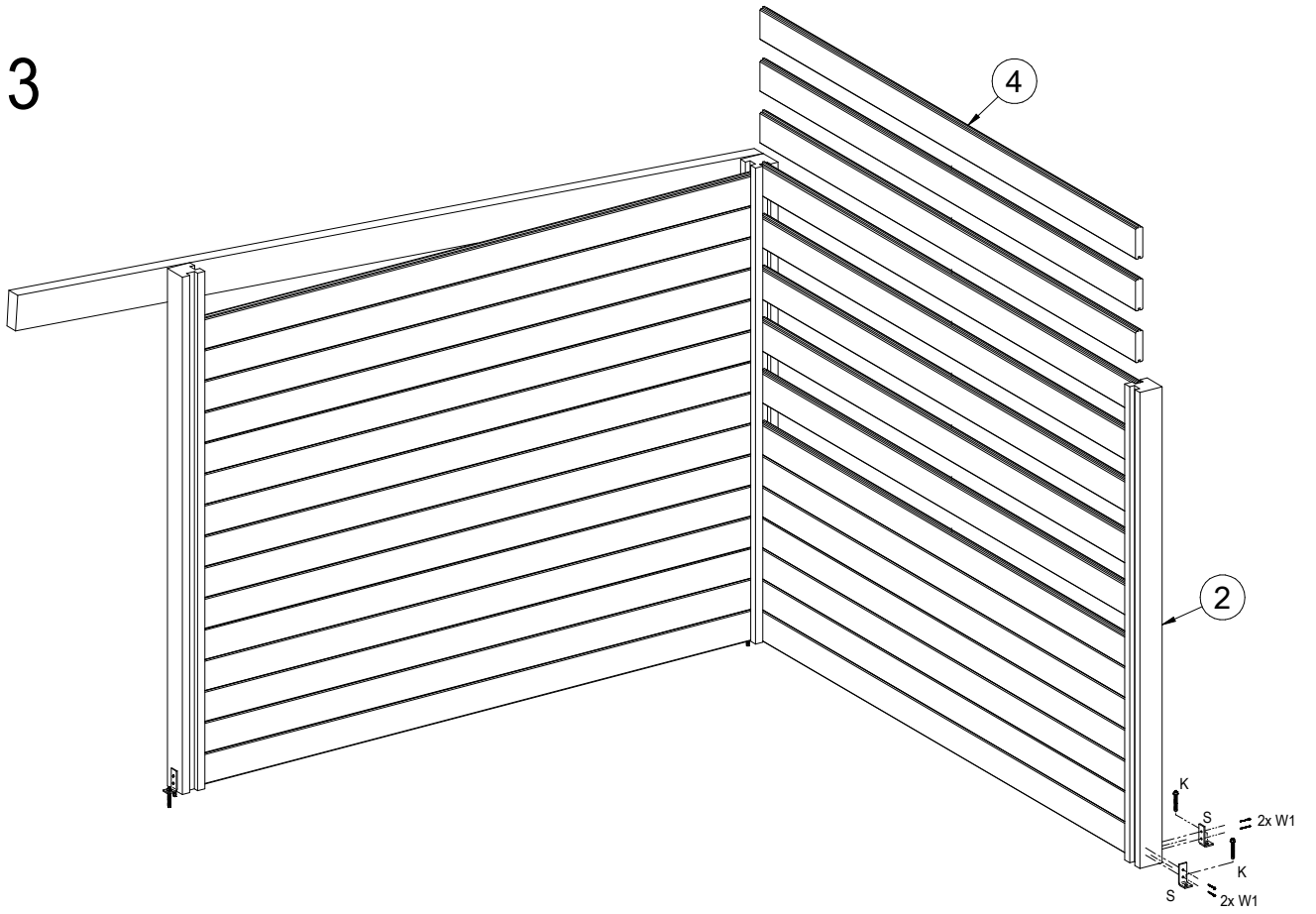
1



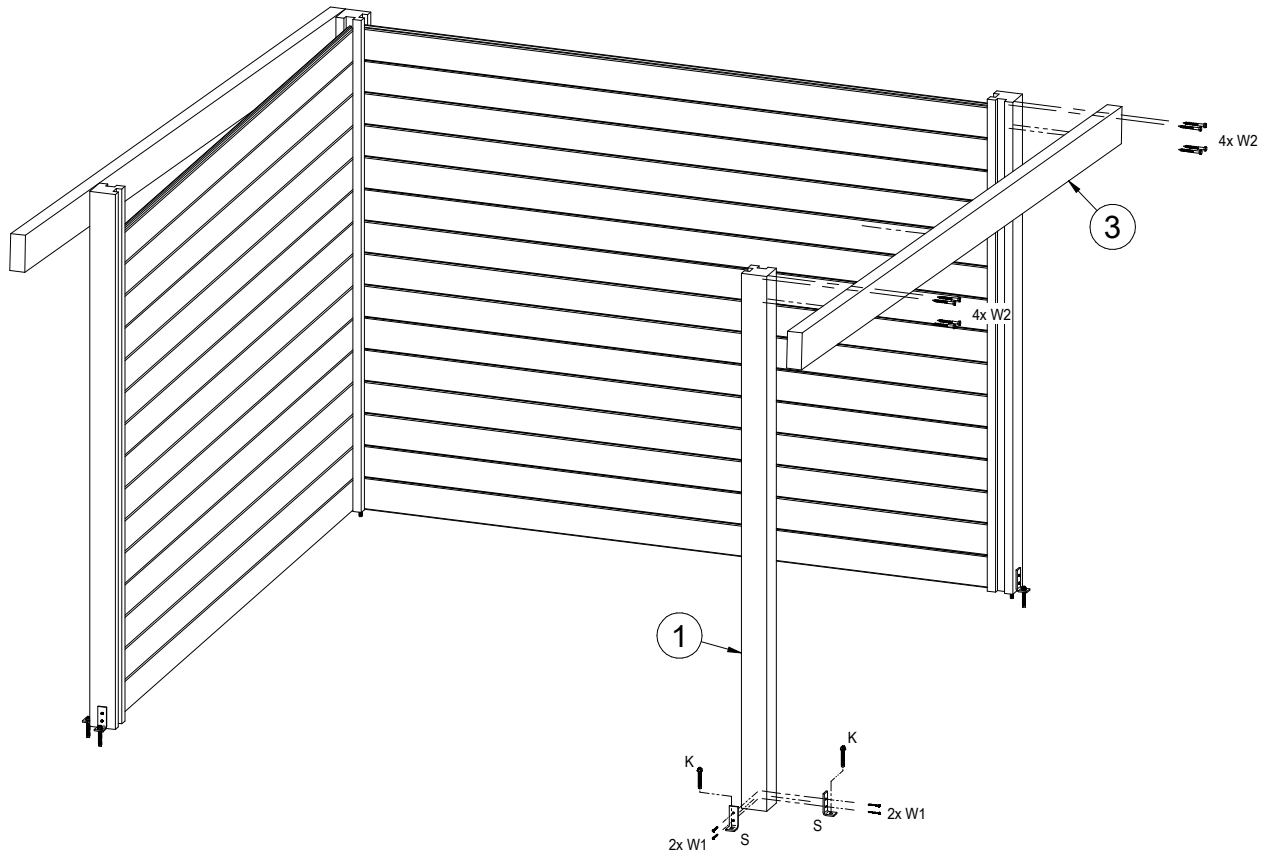
2



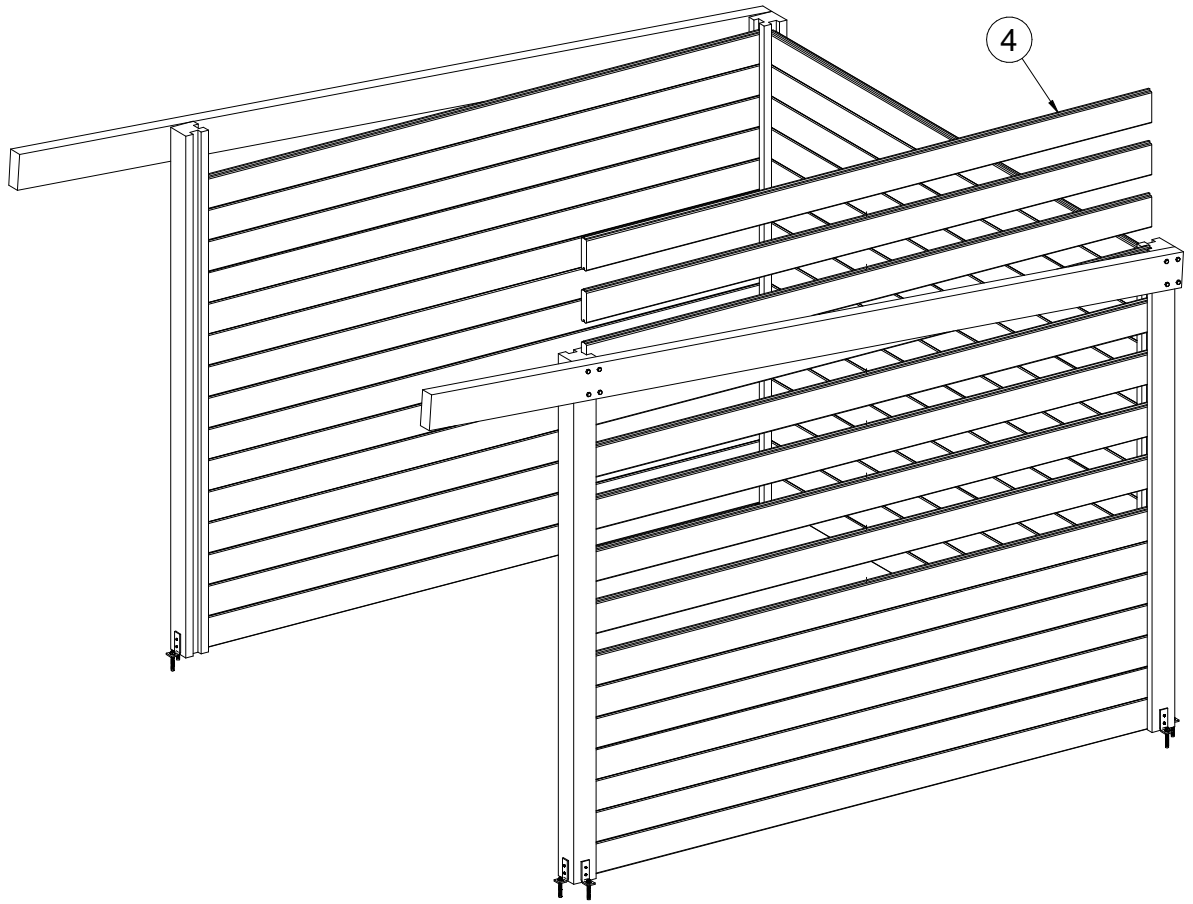
3



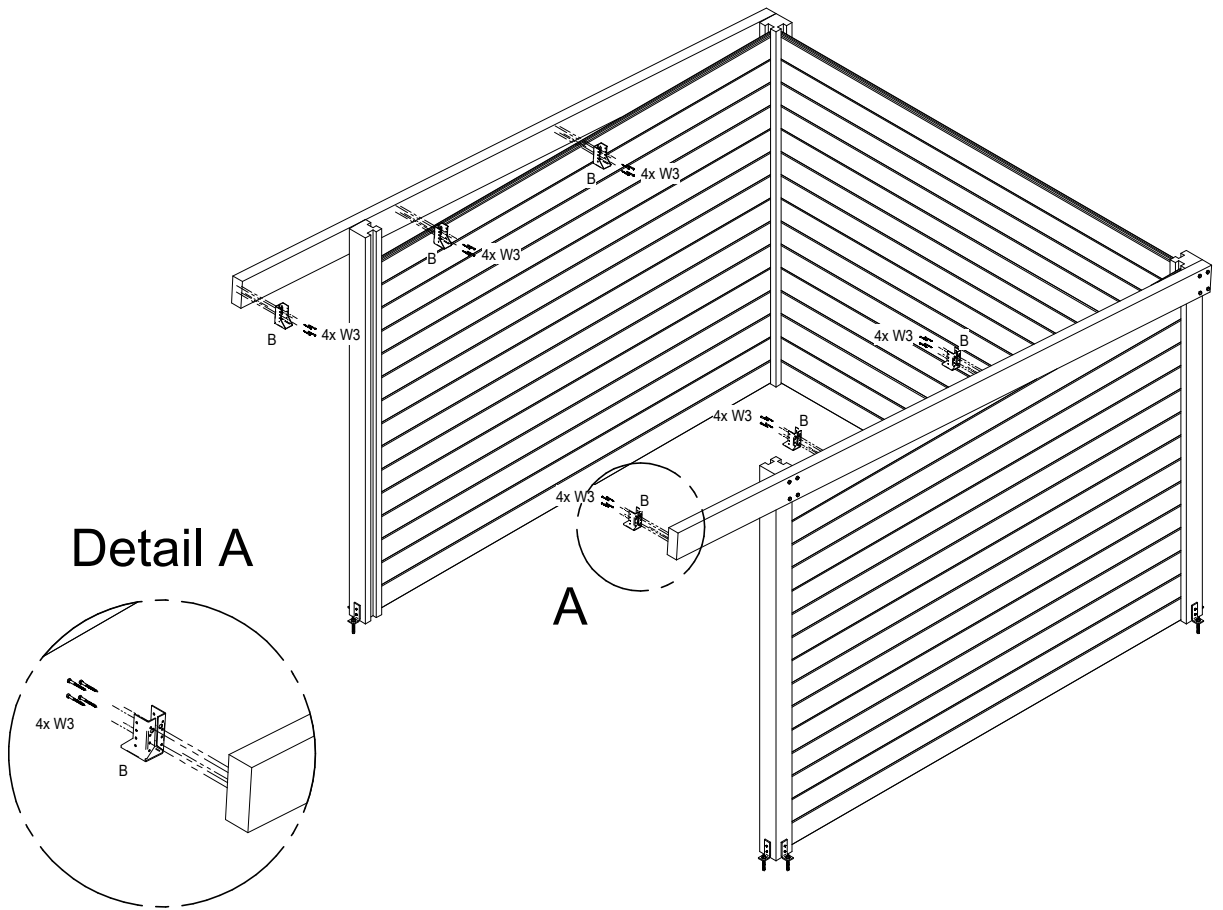
4



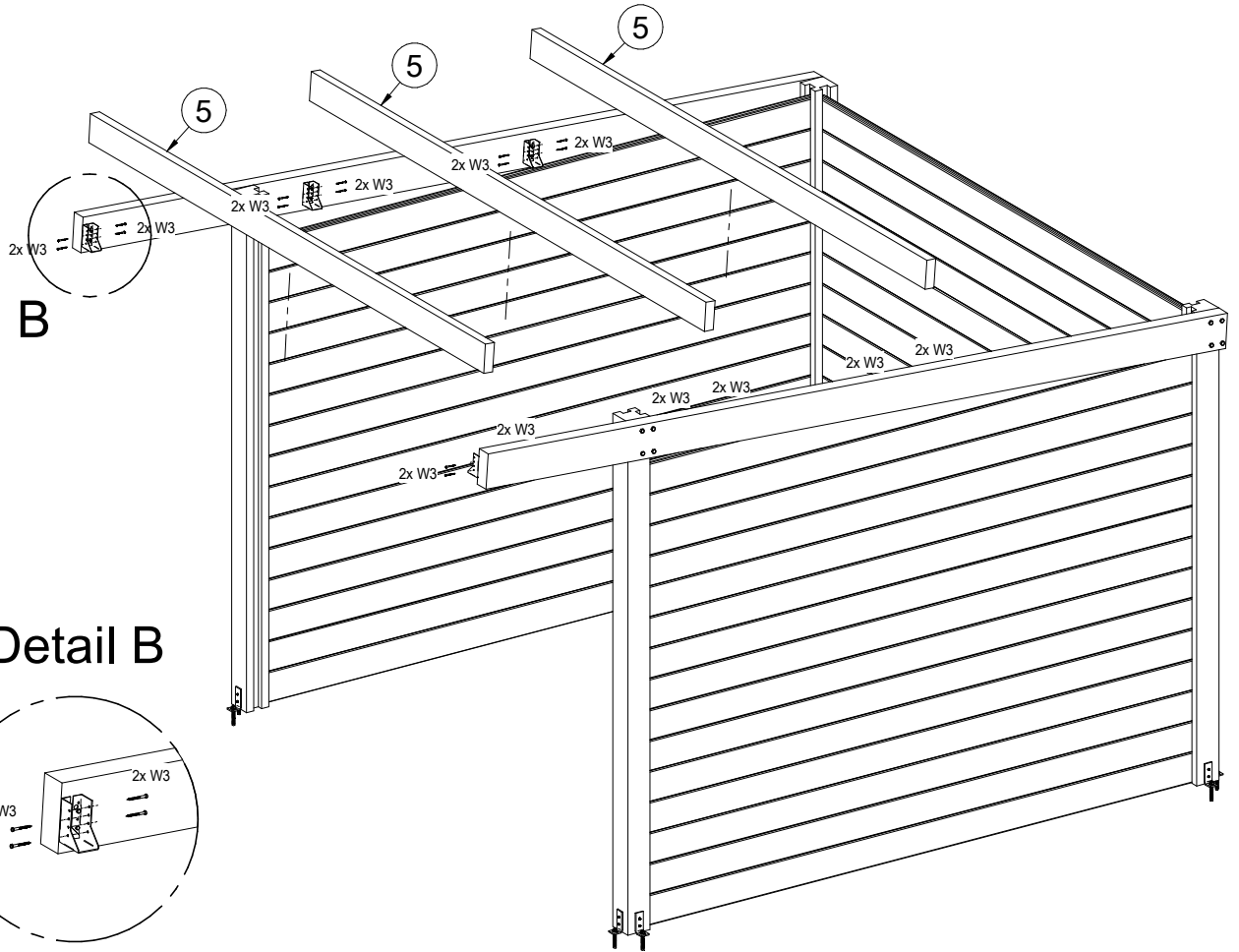
5



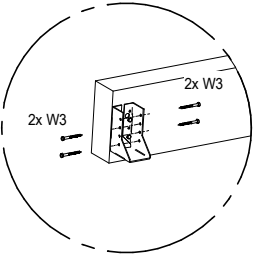
6



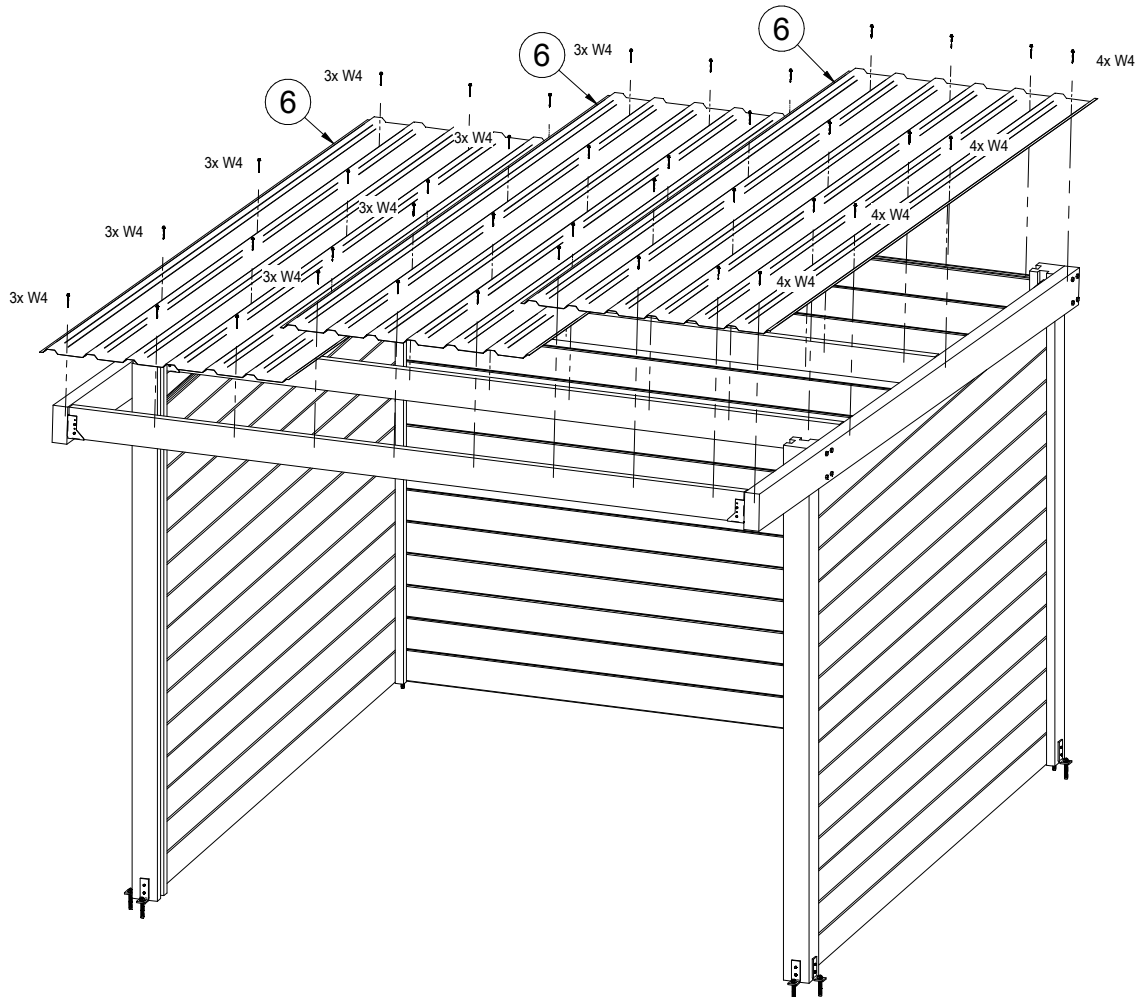
7



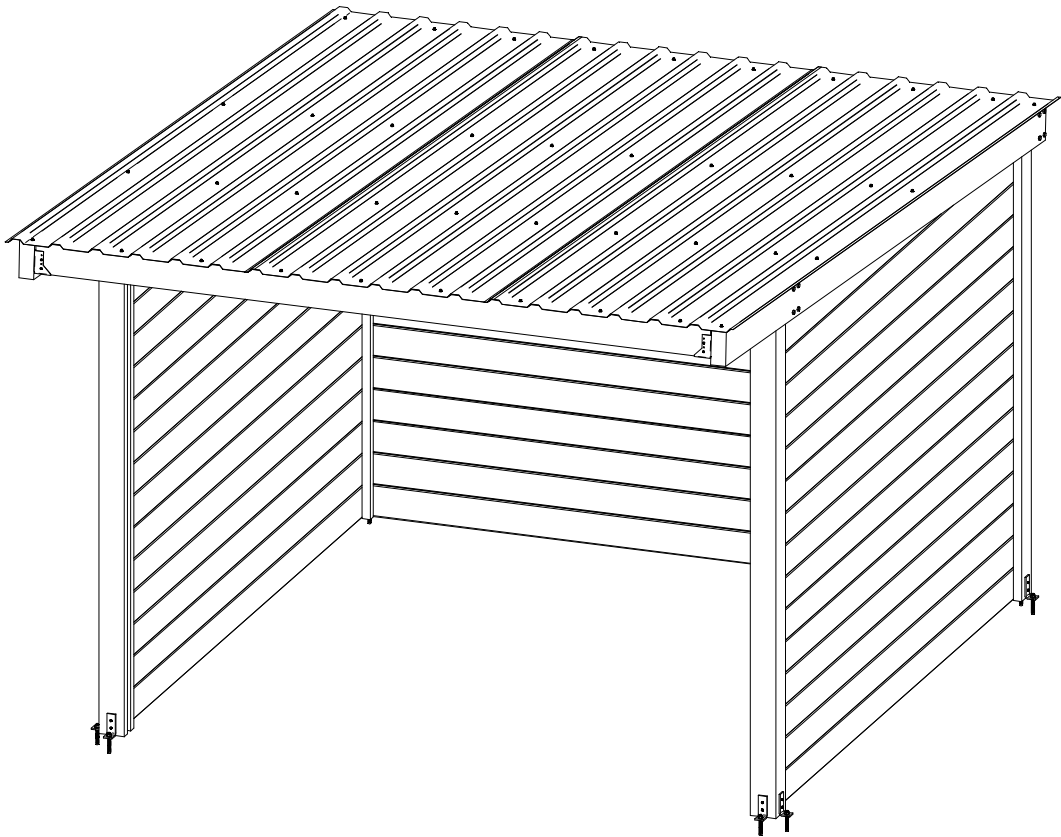
Detail B



8



9



NOTE: Fix every third plank to columns with a screw 5x70 in every field of wall.