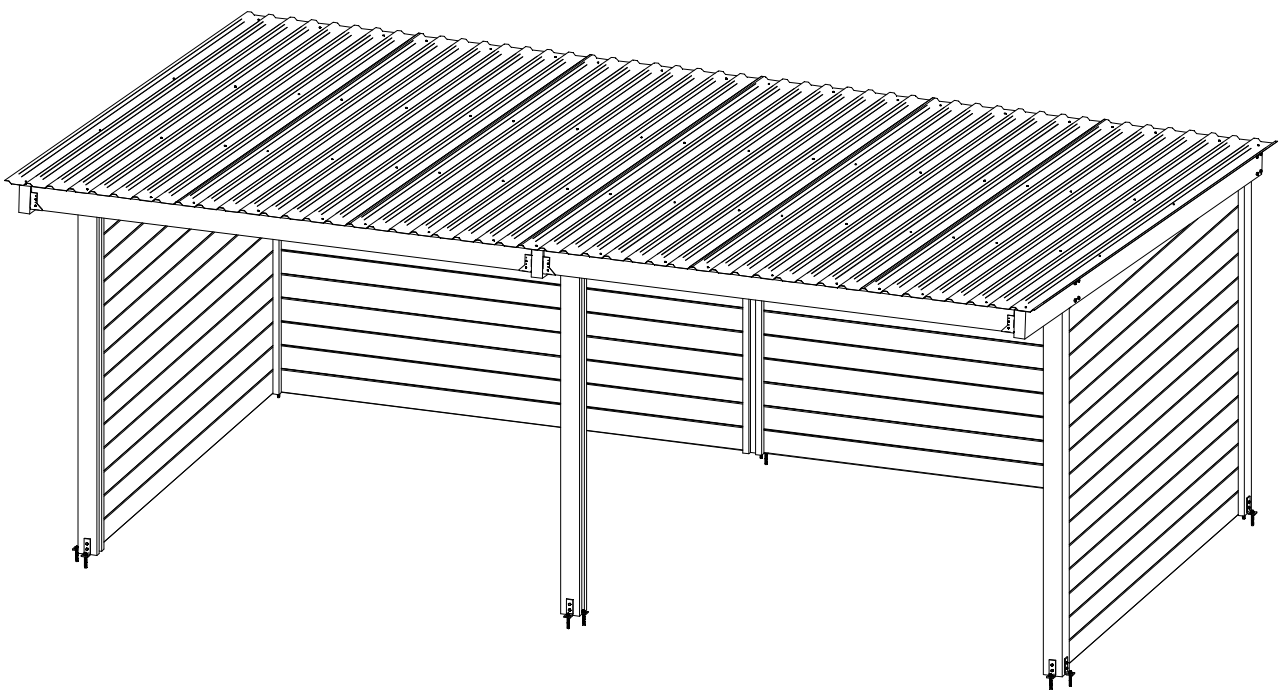
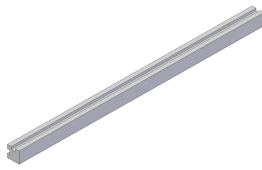
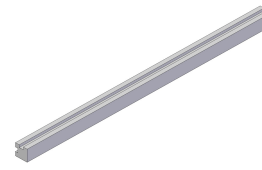
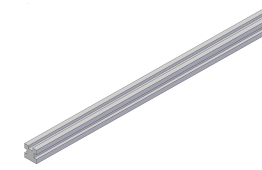
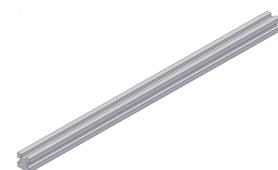
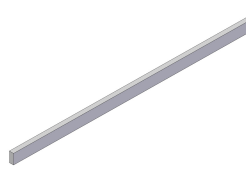
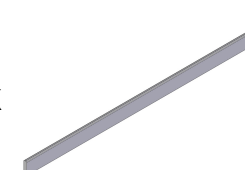
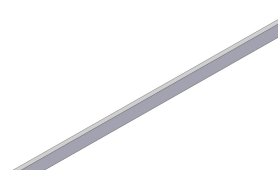
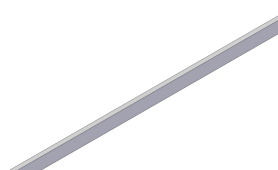
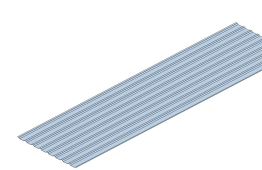
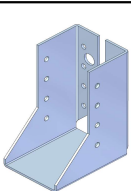
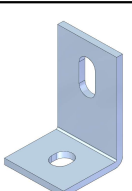
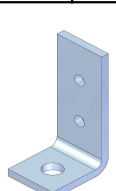









ABRI CONFORT NABRITG6TFSW

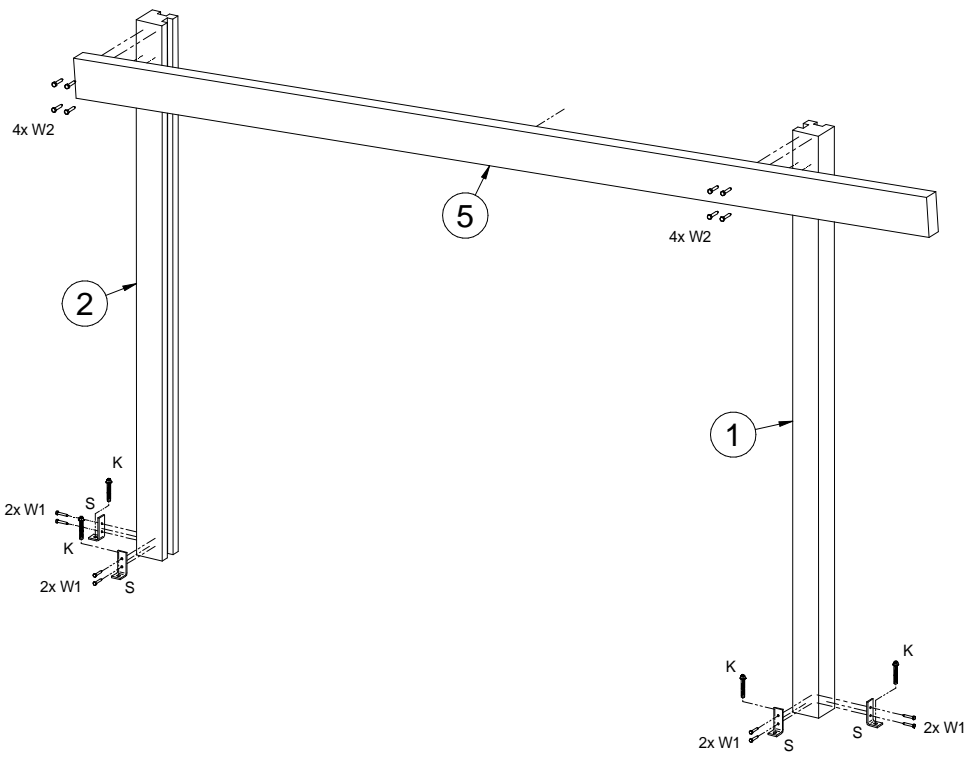
3 x 6 m
MANUAL



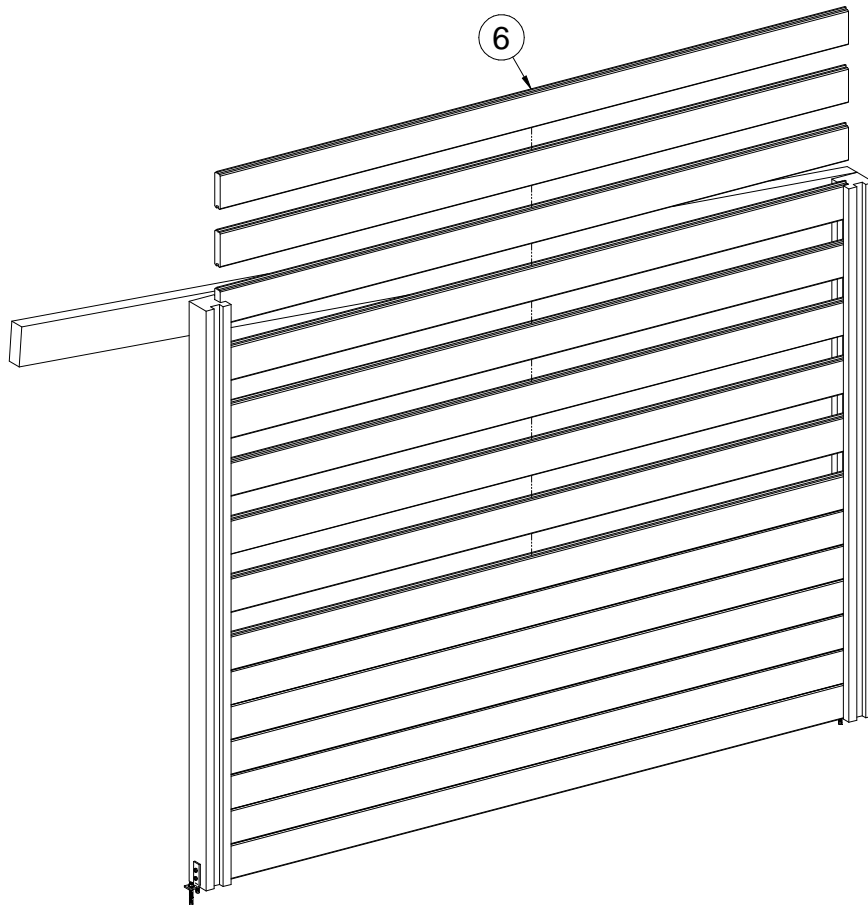
NABRITG6TFSW - LIST OF PARTS

<p>①</p> <p>2x</p>  <p>Column 120x120x2700</p>	<p>②</p> <p>2x</p>  <p>Column 120x120x2500</p>	<p>③</p> <p>1x</p>  <p>Column 120x120x2700</p>	
<p>④</p> <p>1x</p>  <p>Column 120x120x2500</p>	<p>⑤</p> <p>3x</p>  <p>Rafter 70x170x4000</p>	<p>⑥</p> <p>77x</p>  <p>Plank 40x150x3000</p>	
<p>⑦</p> <p>3x</p>  <p>Purlin 48x140x3180</p>	<p>⑧</p> <p>3x</p>  <p>Purlin 48x140x3000</p>	<p>⑨</p> <p>6x</p>  <p>Delivered in 2 parts: -2800mm, -1450mm BTD-18</p>	
<p>ⓑ</p> <p>12x</p>  <p>BMF</p>	<p>ⓒ</p> <p>2x</p>  <p>CORMONT</p>	<p>Ⓢ</p> <p>16x</p>  <p>Angle footing plate</p>	<p>Ⓚ</p> <p>16x</p>  <p>Concrete anchor 14x80</p>
<p>Ⓦ</p> <p>24x</p>  <p>Screw 8x50</p>	<p>Ⓦ</p> <p>24x</p>  <p>Screw 8x120</p>	<p>Ⓦ</p> <p>100x</p>  <p>Screw 5x40 for BMF</p>	
<p>Ⓦ</p> <p>80x</p>  <p>Screw for BTD-18</p>	<p>Ⓦ</p> <p>80x</p>  <p>Screw 5x70</p>	<p>Ⓦ</p> <p>8x</p>  <p>Screw 5x40</p>	

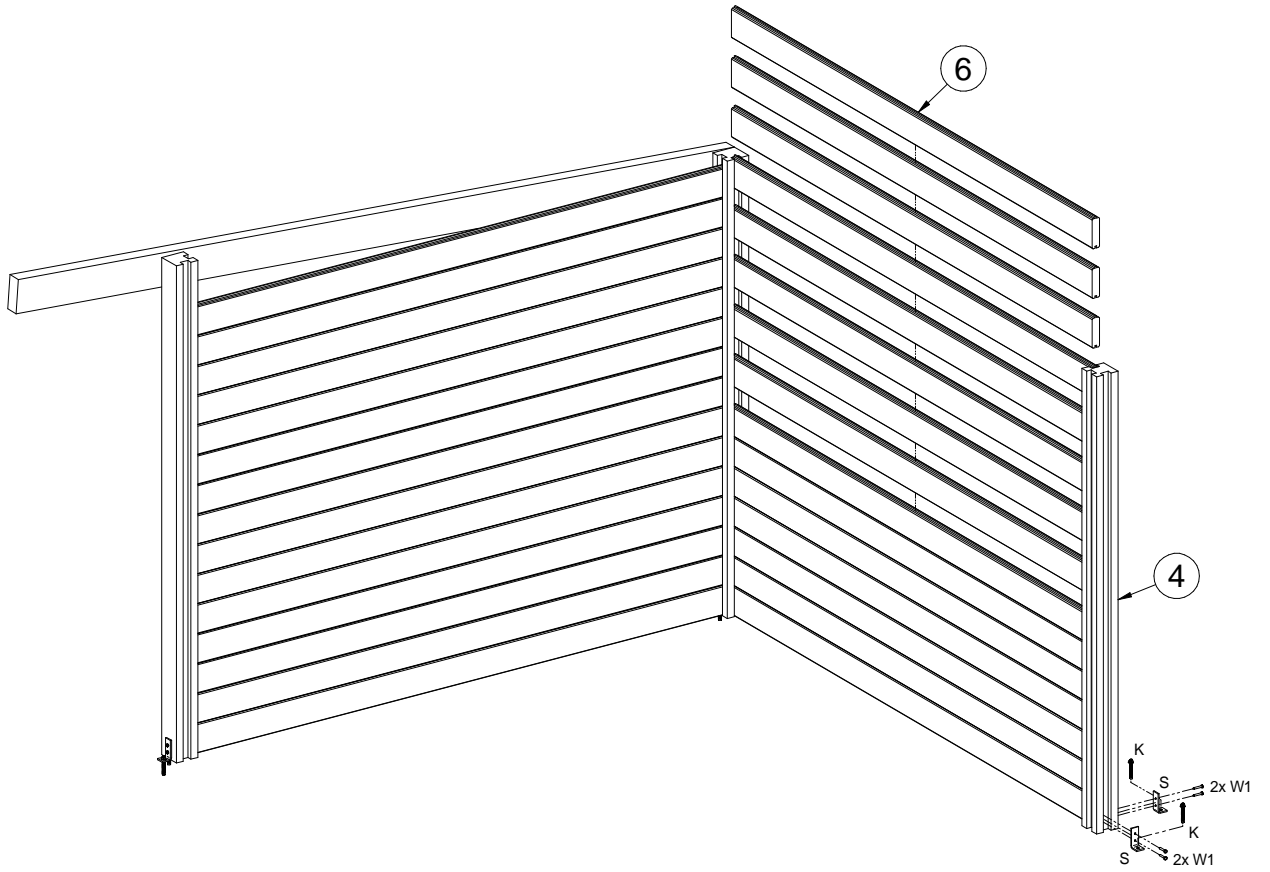
1



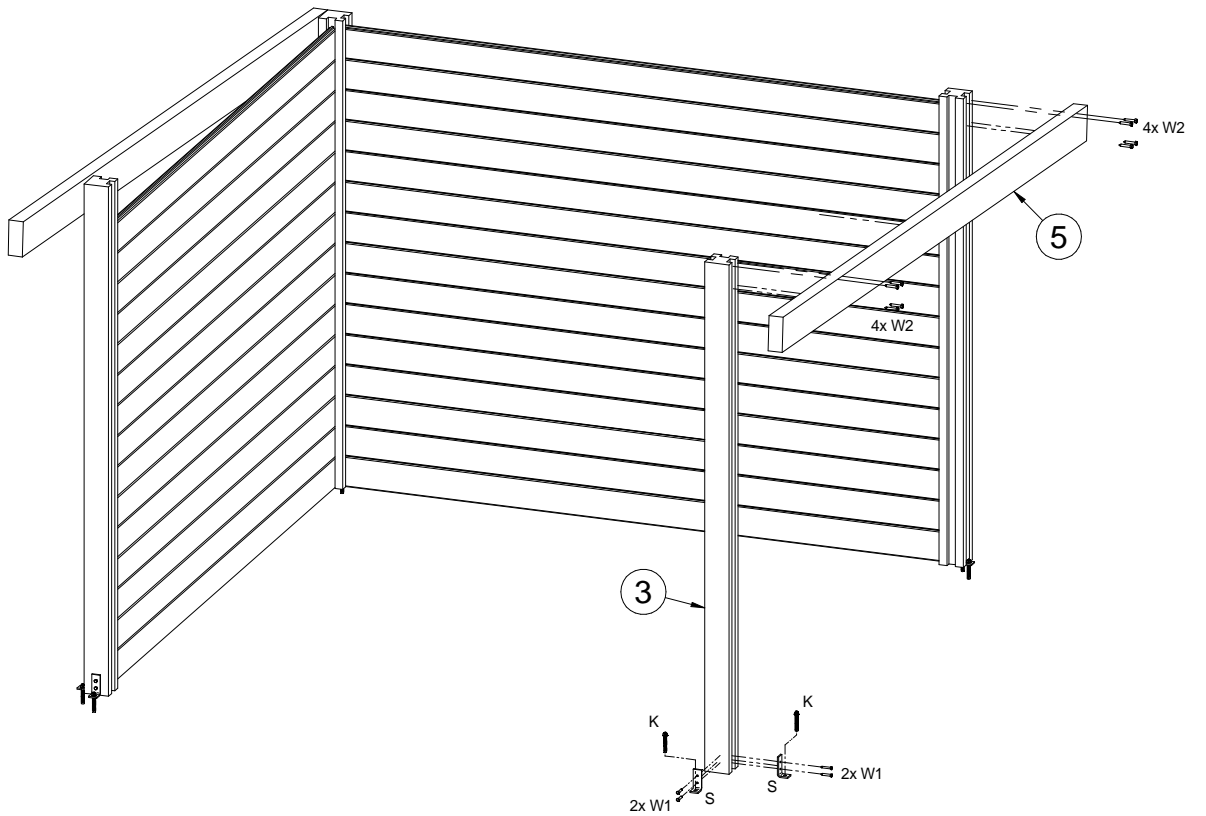
2



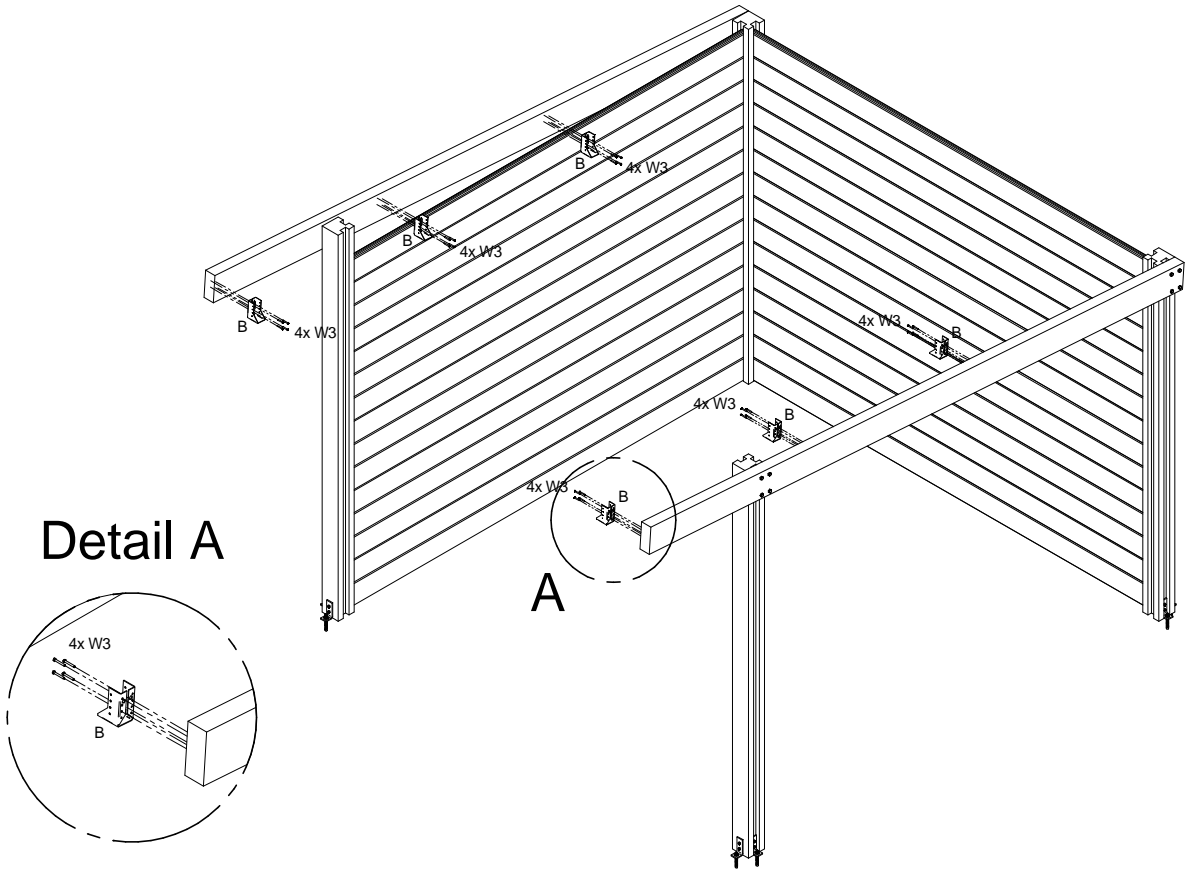
3



4

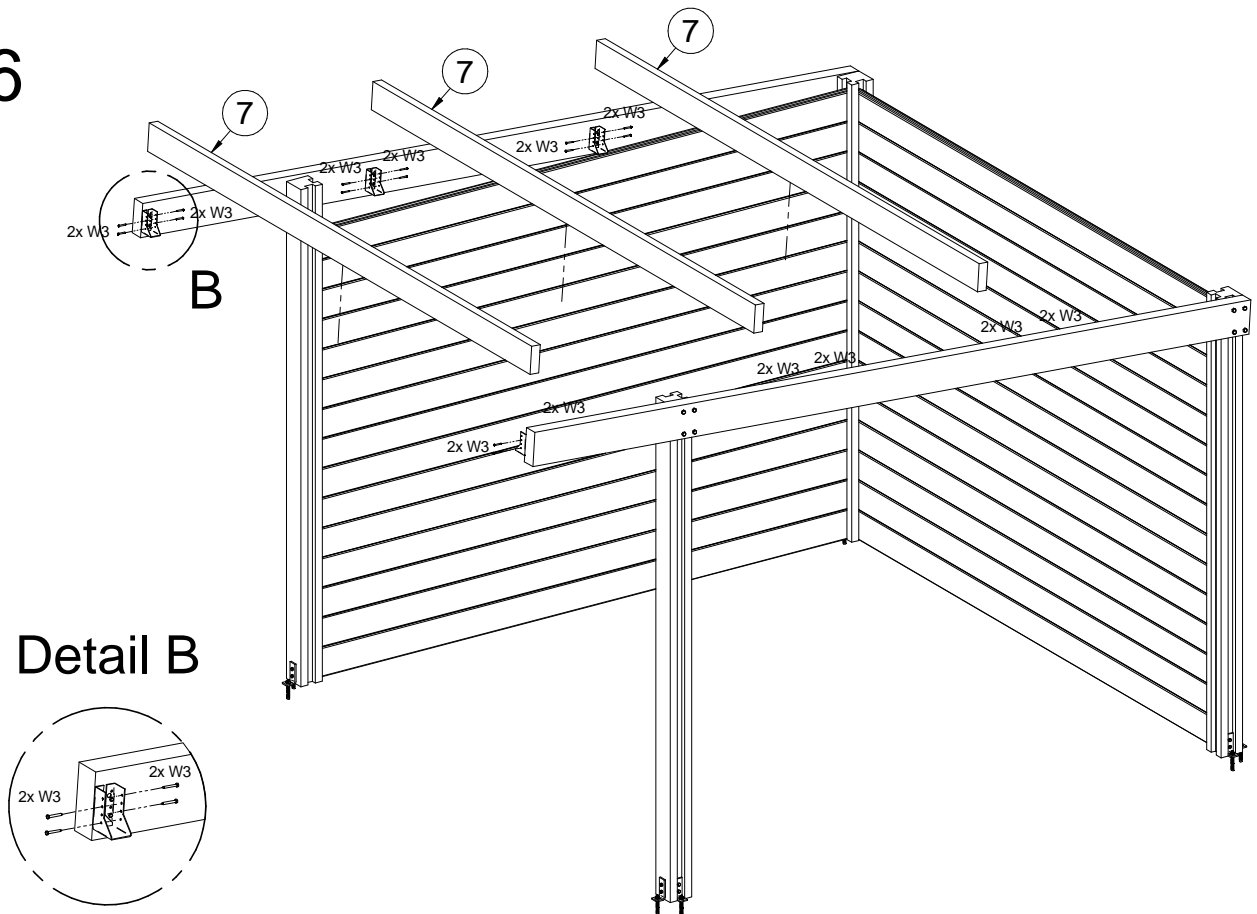


5



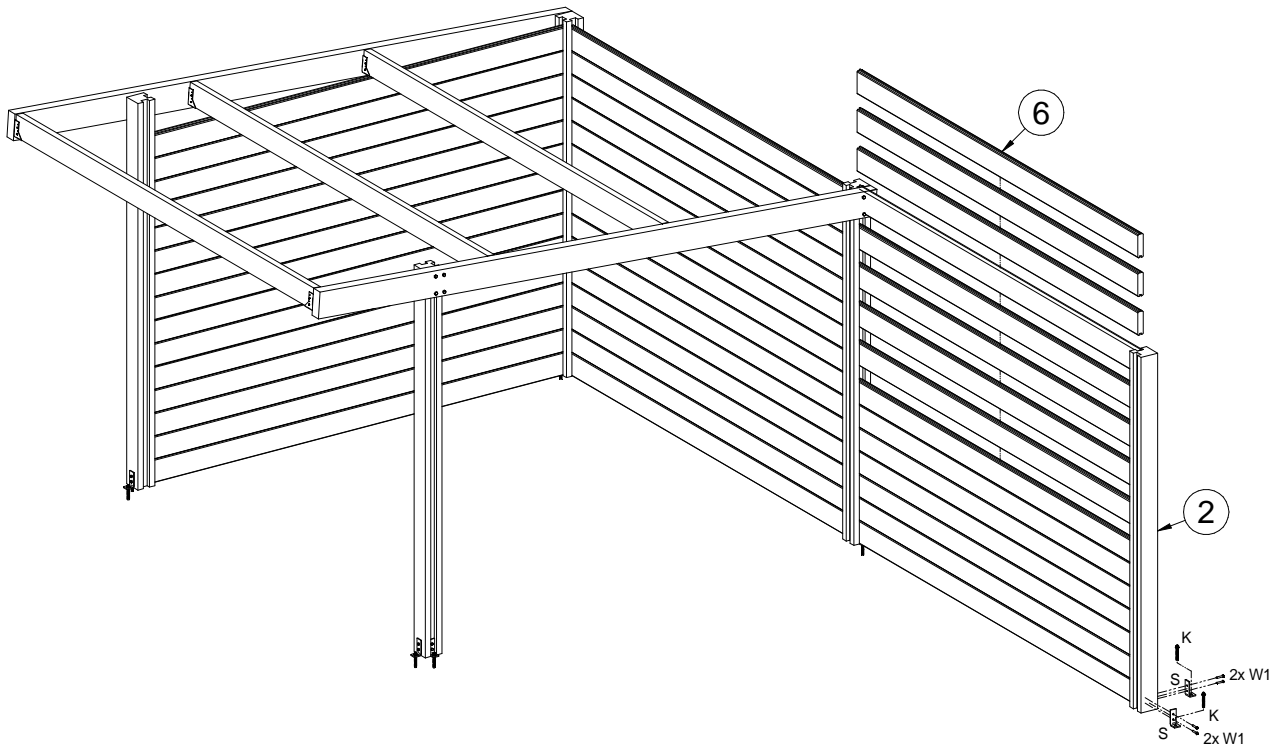
Detail A

6

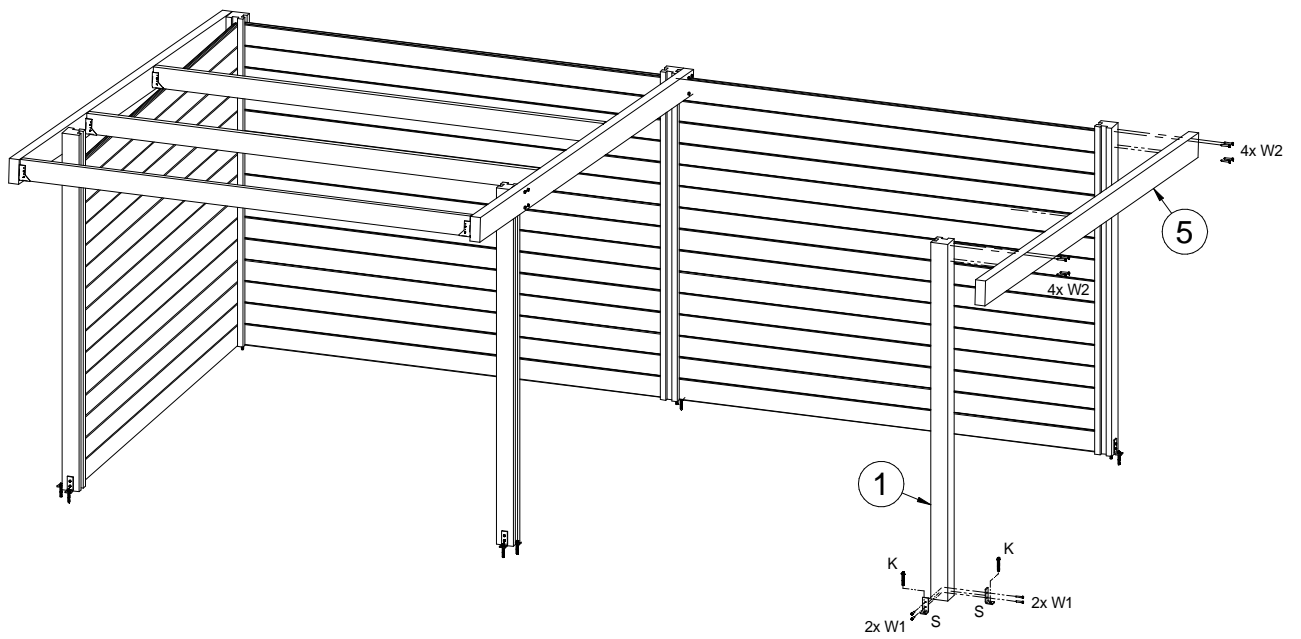


Detail B

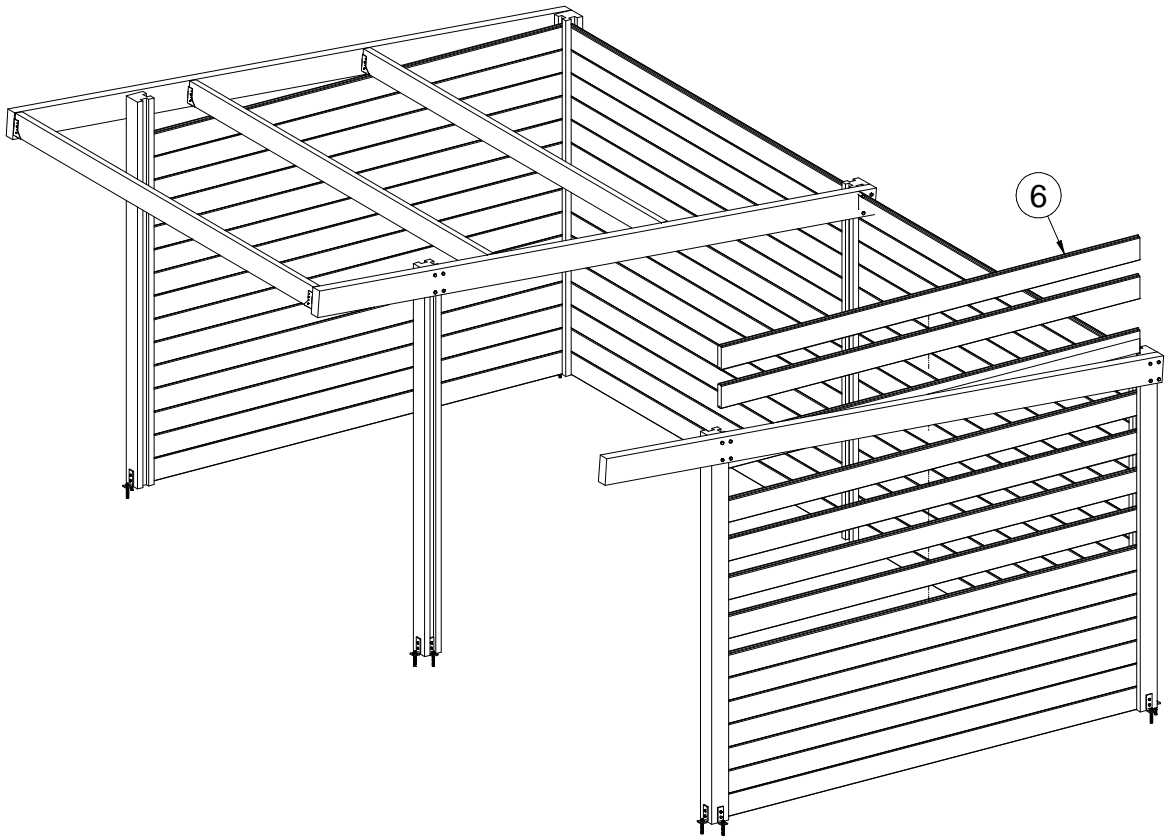
7



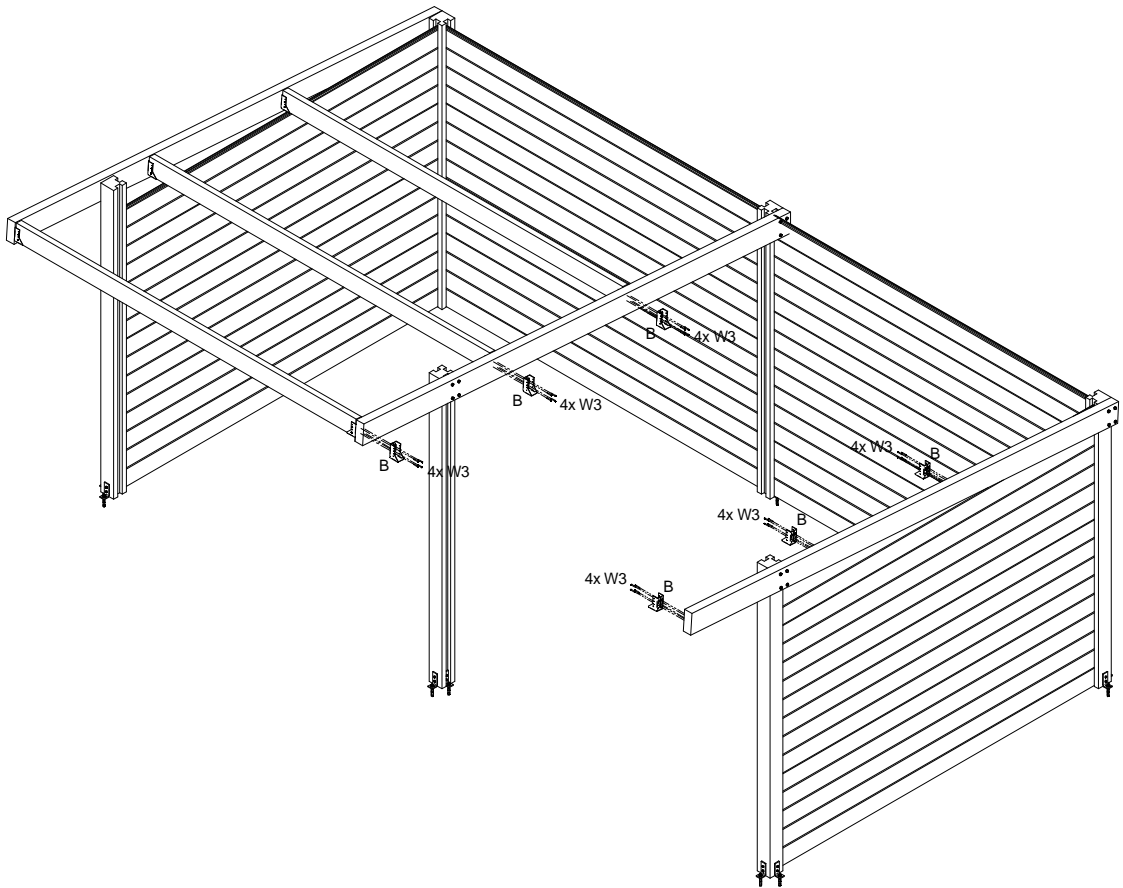
8



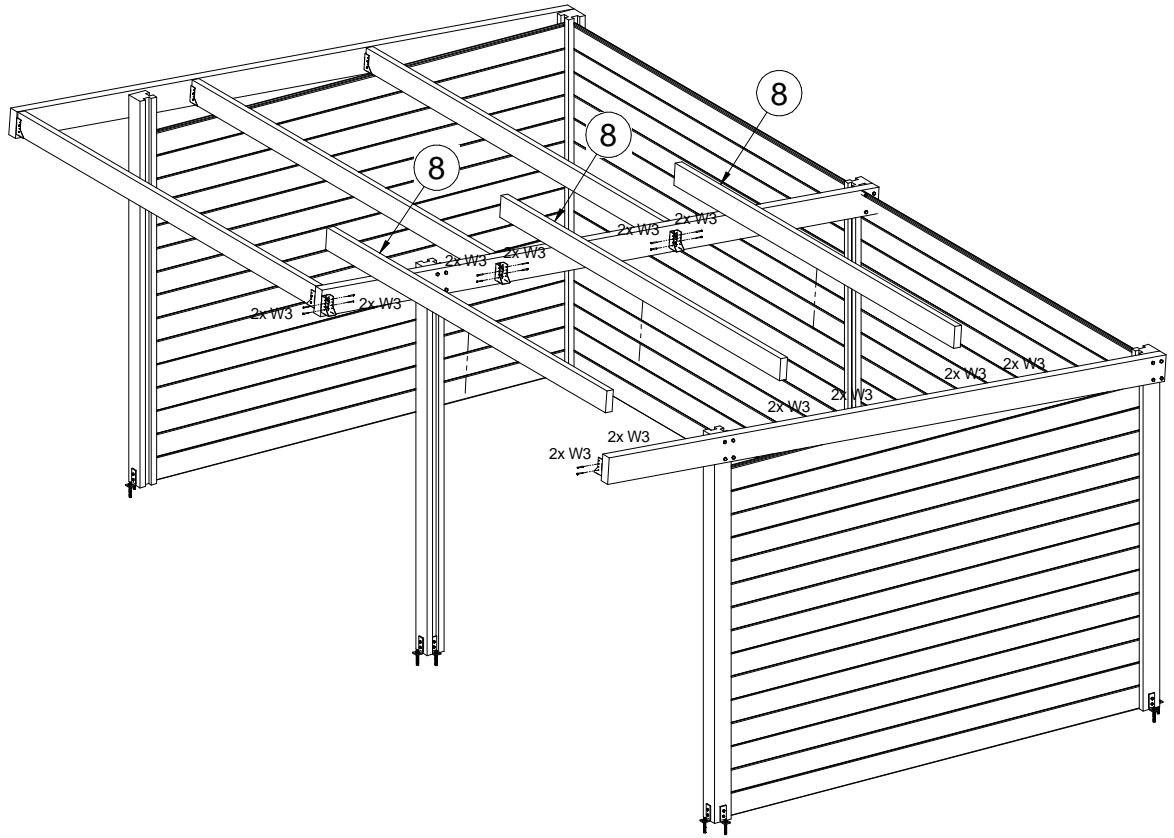
9



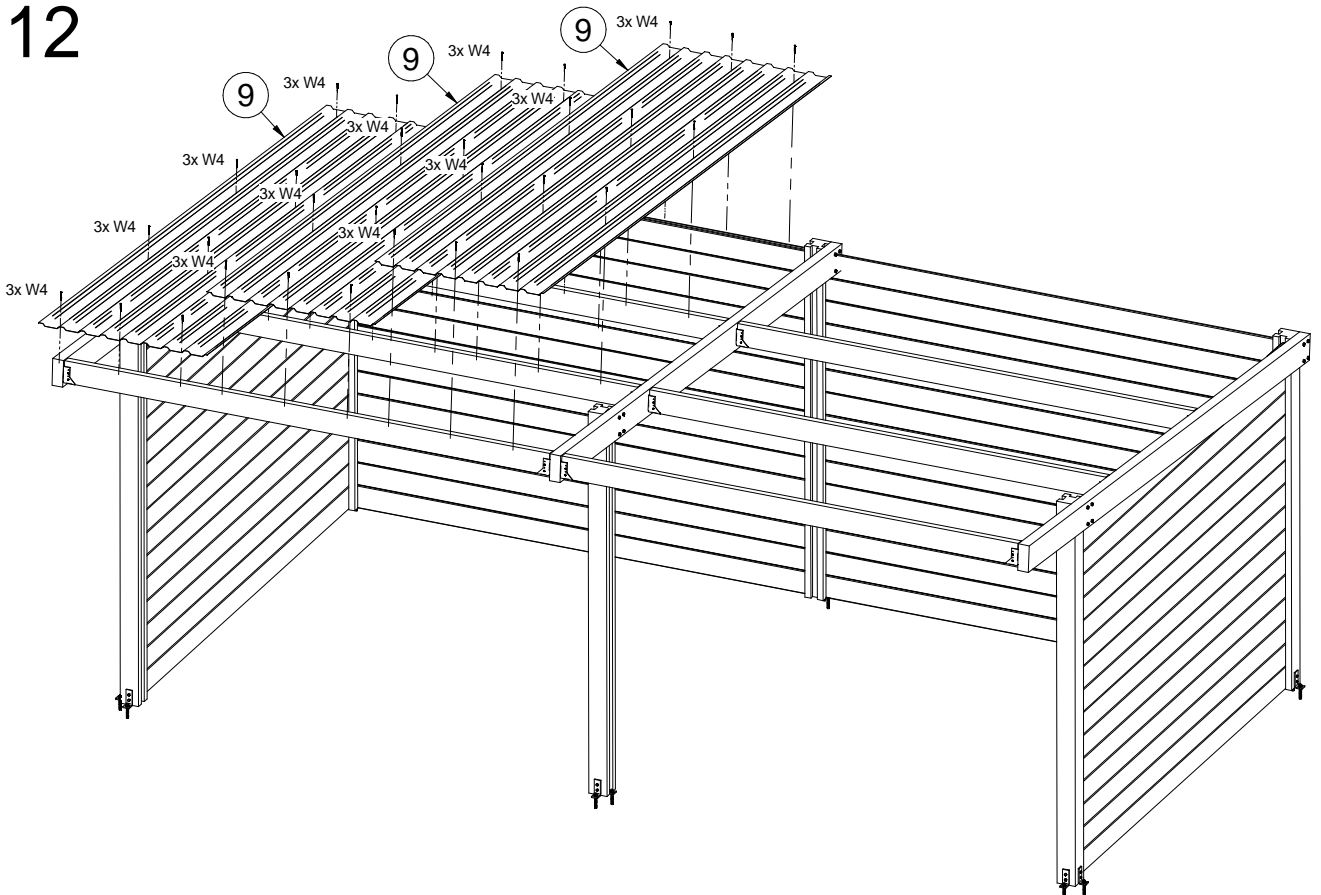
10



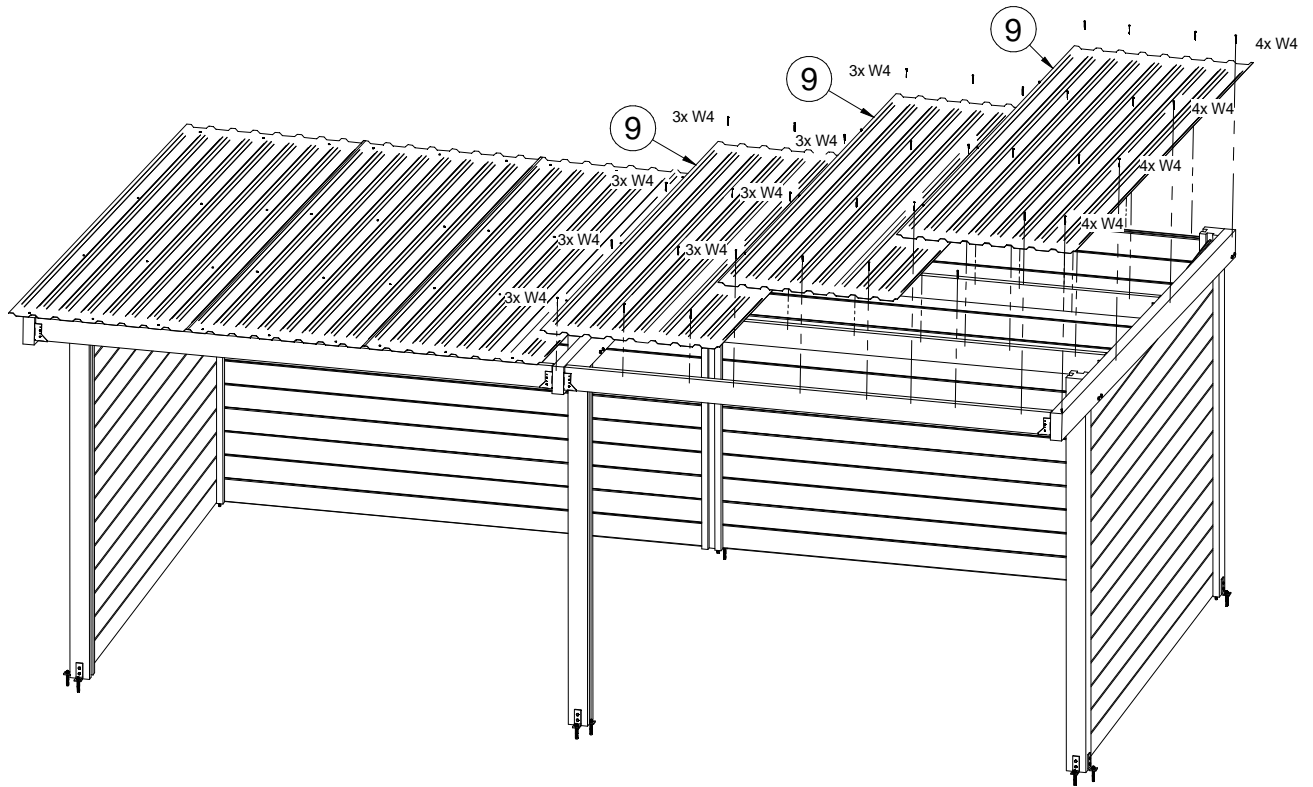
11



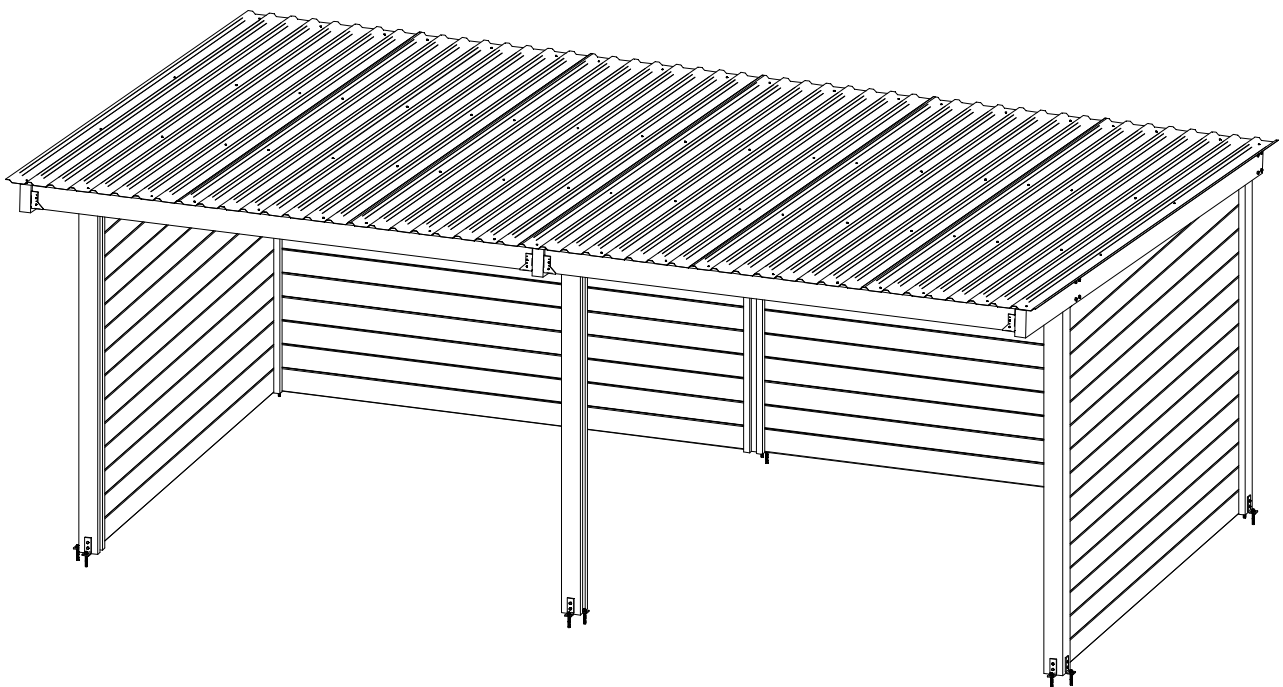
12



13



14



NOTE: Fix every third plank to columns with a screw 5x70 in every field of wall.