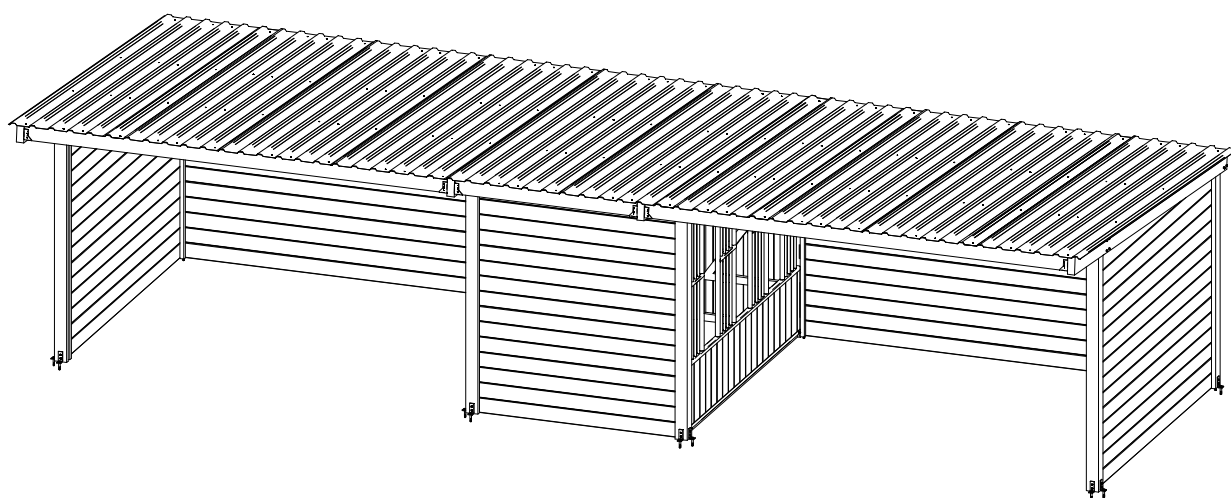


NNUTRITG10TFSW

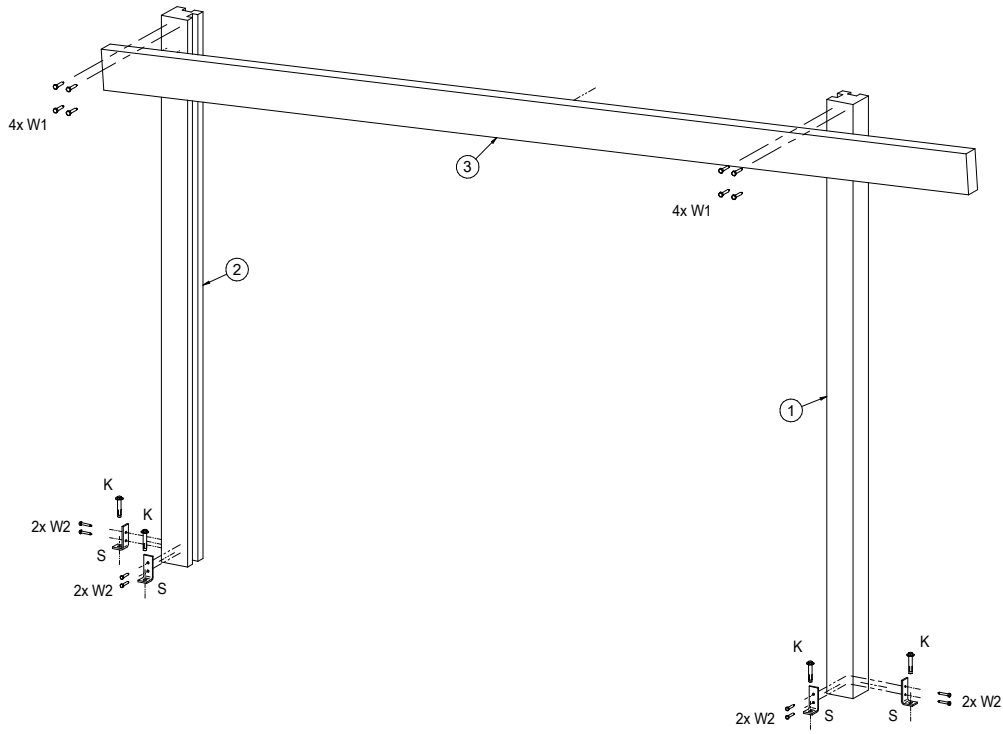
INSTALLATION GUIDE



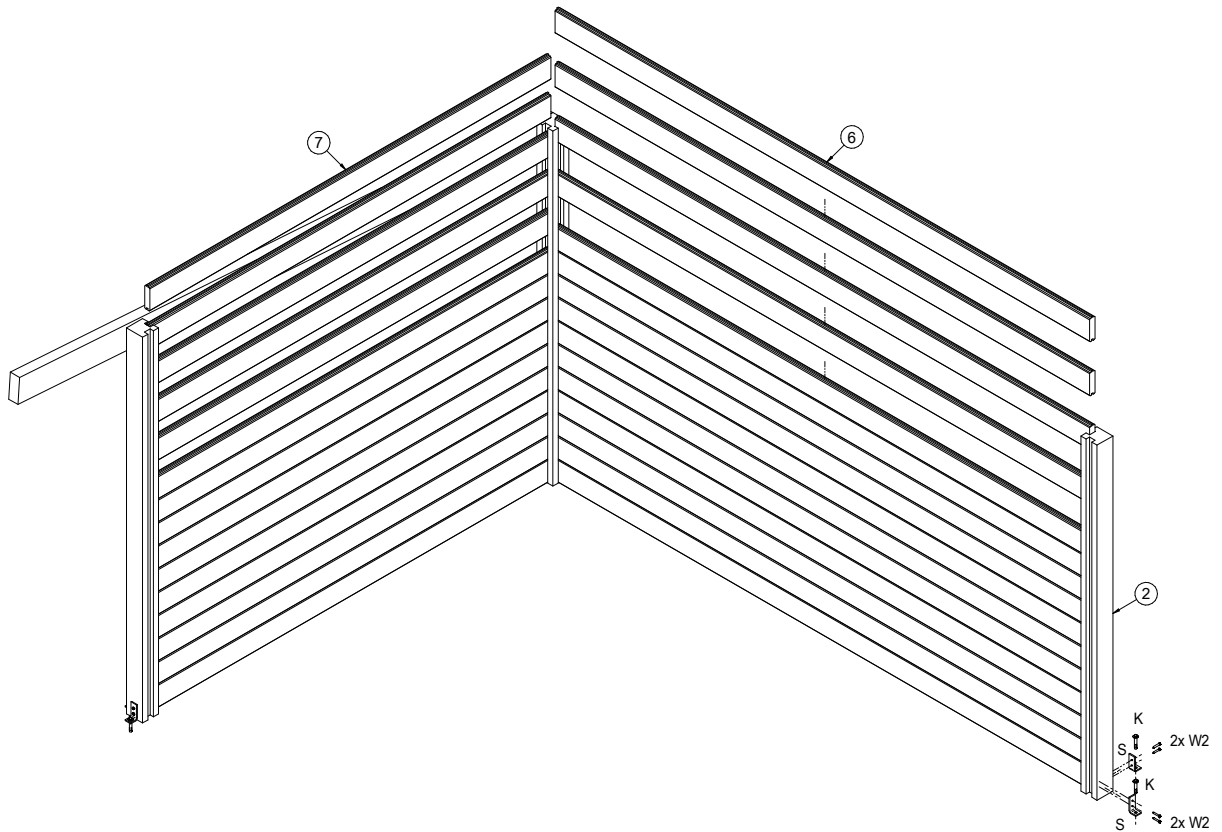
NNUTRITG10TFSW - LIST OF PARTS

<p>1 SP2700</p> <p>4x</p> <p>Column 120x120x2700</p>	<p>2 ST2500</p> <p>4x</p> <p>Column 120x120x2500</p>	<p>3</p> <p>4x</p> <p>Rafter 70x170x4000</p>	<p>4</p> <p>6x</p> <p>Purlin 48x140x4180</p>
<p>5</p> <p>4x</p> <p>Purlin 48x140x2000</p>	<p>6</p> <p>36x</p> <p>Plank 40x150x4000</p>	<p>7</p> <p>36x</p> <p>Plank 40x150x3000</p>	<p>8</p> <p>18x</p> <p>Plank 40x150x2000</p>
<p>9 N0301POUA</p> <p>2x</p> <p>Separation 3000x2240</p>	<p>10 PORTE</p> <p>1x</p> <p>Barn door</p>	<p>11 BTD</p> <p>10x</p> <p>L=4100 (in 2 parts)</p> <p>Roofing sheet T18</p>	
<p>B BMF</p> <p>20x</p> <p>Purlin bracket</p>	<p>C CORMONT</p> <p>12x</p> <p>Montage bracket</p>	<p>H</p> <p>4x</p> <p>Hinge hook</p>	<p>K VB1480</p> <p>24x</p> <p>Concrete anchor 14x80</p>
<p>S AA0102</p> <p>24x</p> <p>Bottom bracket</p>	<p>B1</p> <p>8x</p> <p>Bolt M10x70</p>	<p>N1</p> <p>8x</p> <p>Nut M10</p>	<p>P1</p> <p>8x</p> <p>Washer 10</p>
<p>W1</p> <p>32x</p> <p>Screw 10x120</p>	<p>W2</p> <p>64x</p> <p>Screw 8x50</p>	<p>W3</p> <p>8x</p> <p>Screw 10x100</p>	<p>W4</p> <p>200x</p> <p>Screw 5x40 (DMX)</p>
<p>W5</p> <p>142x</p> <p>Screw 4,8x55</p>	<p>W6</p> <p>150x</p> <p>Screw 5x70</p>		

1

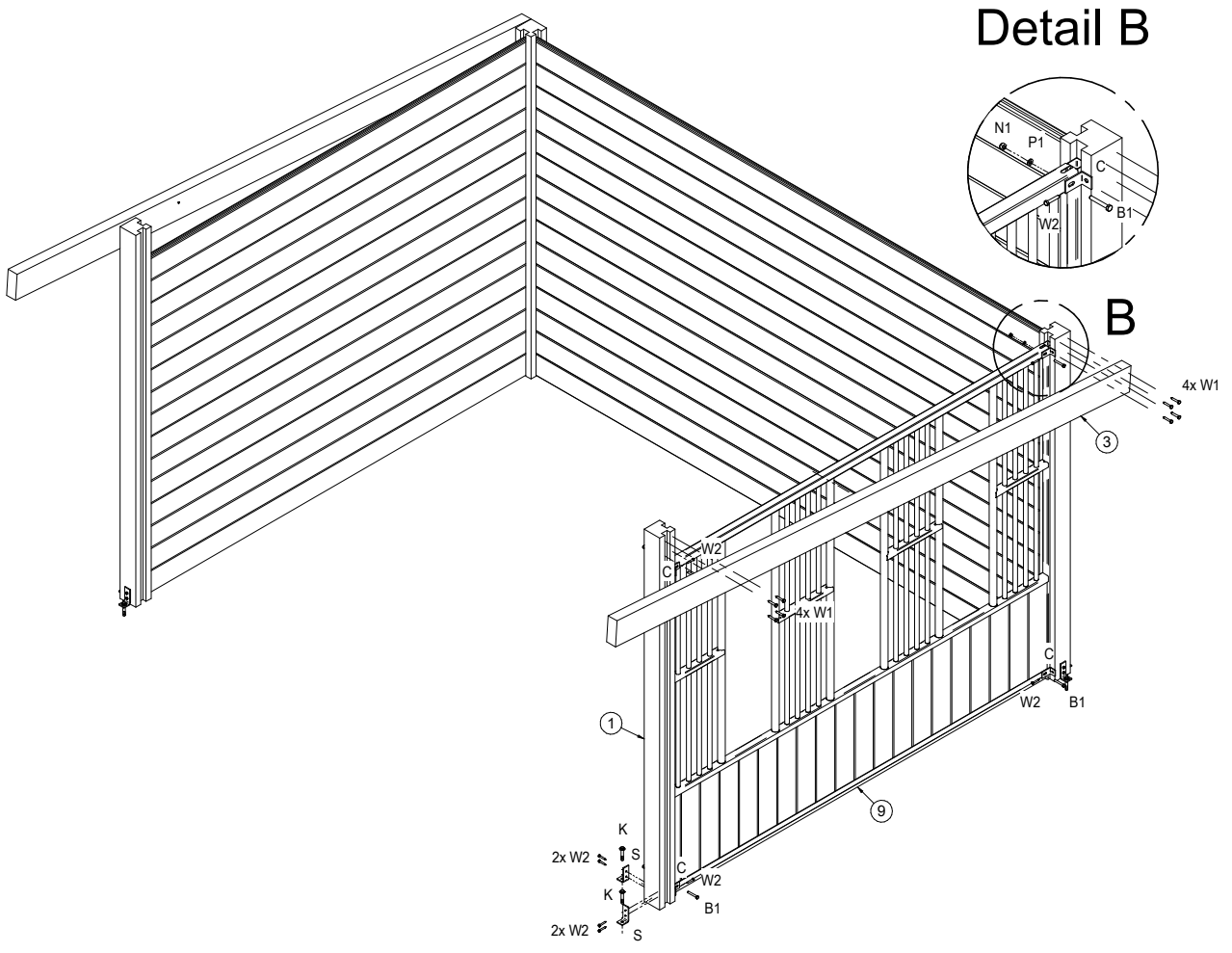


2

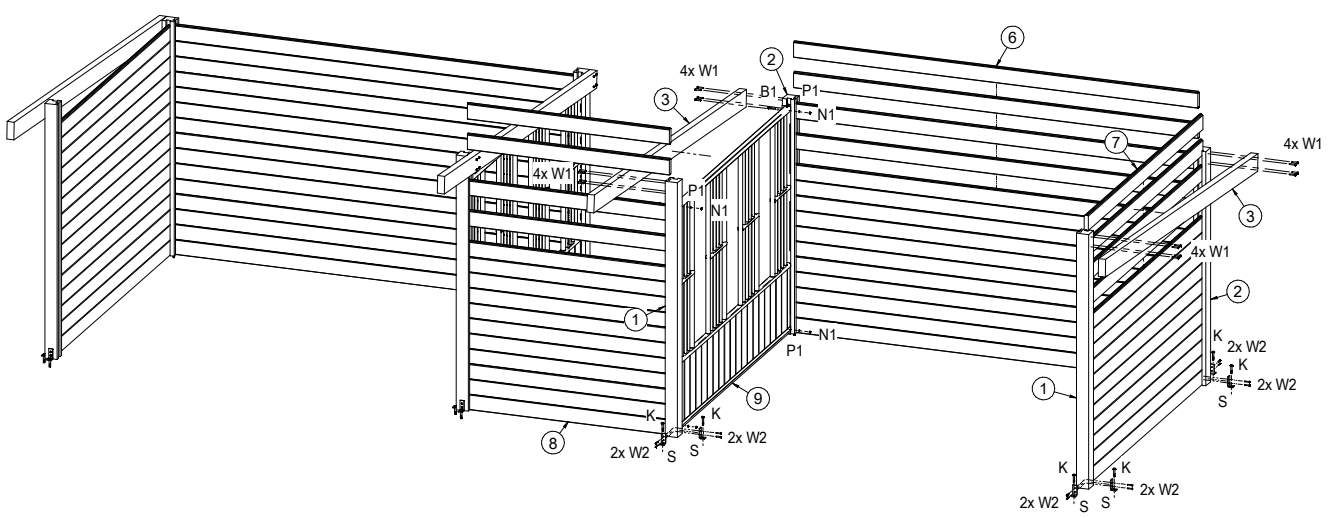


Detail B

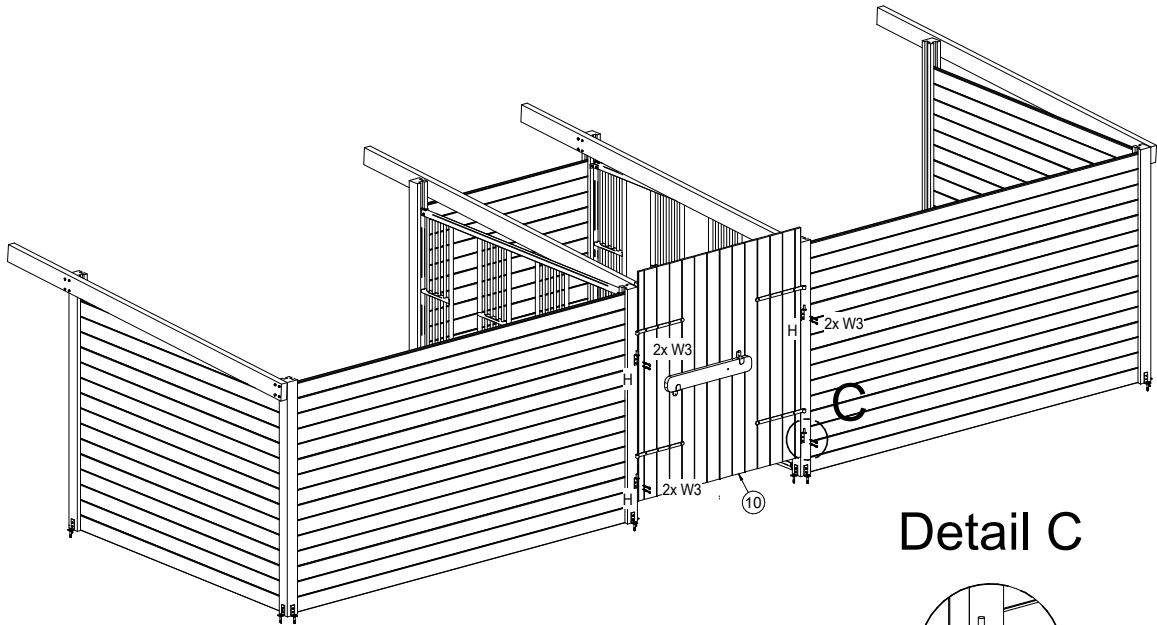
3



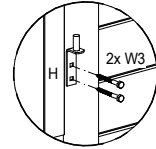
4



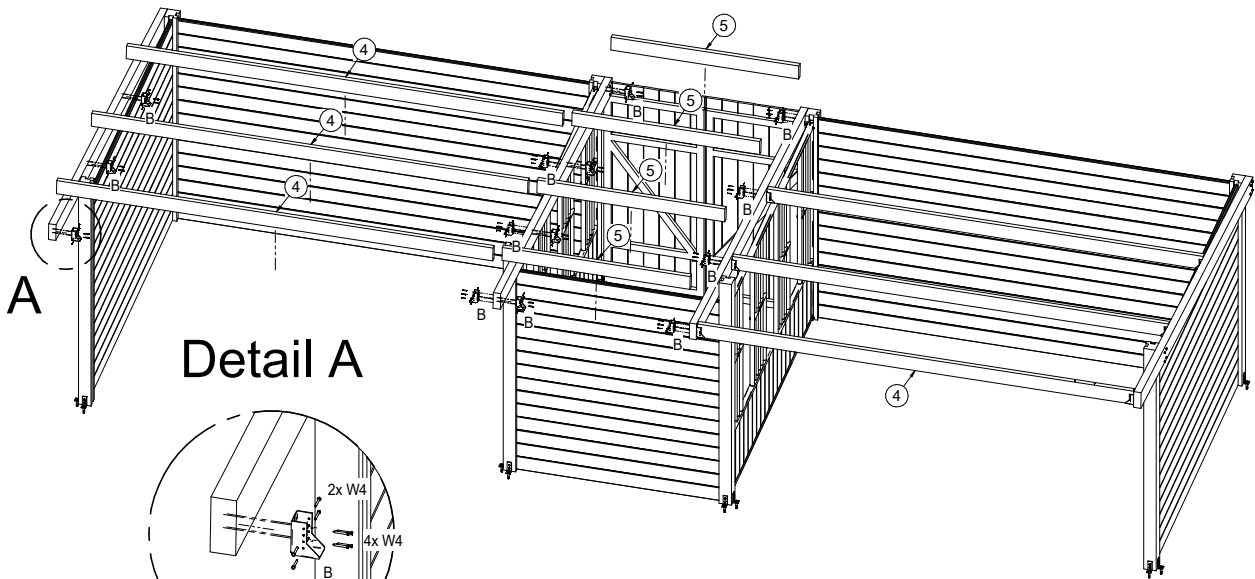
5



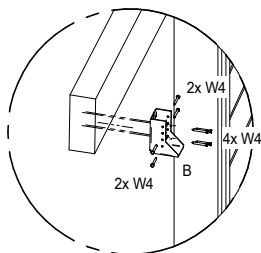
Detail C



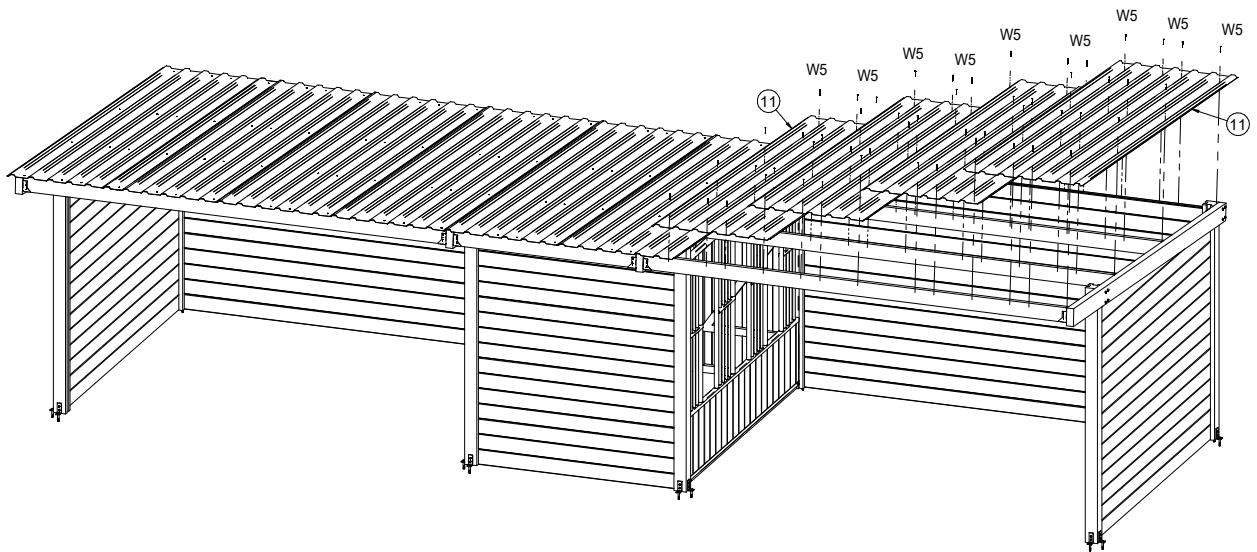
6



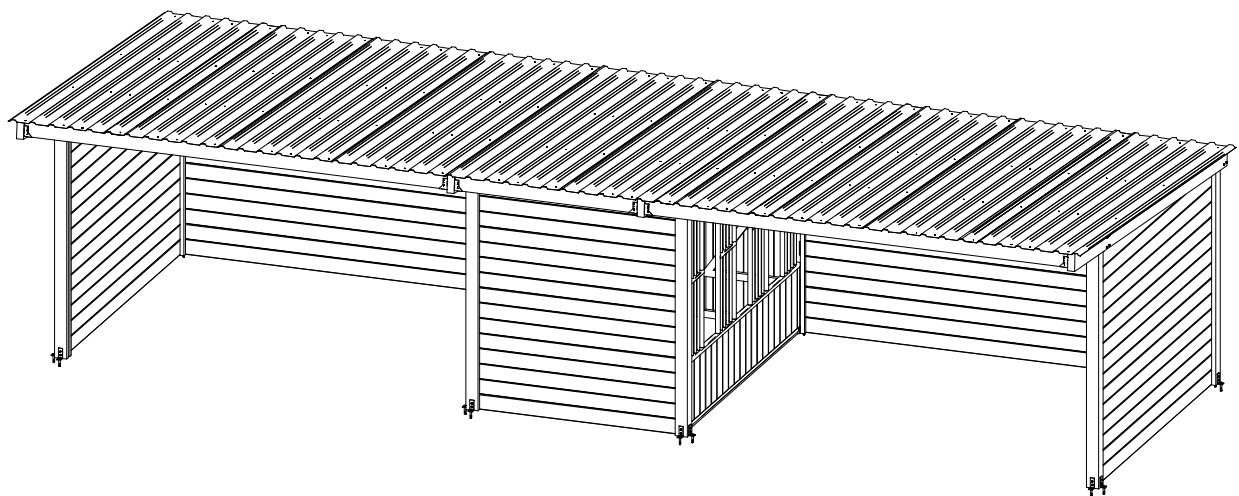
Detail A



7



8



NOTE: Fix every third plank to columns with a screw 5x70 in every field of wall.