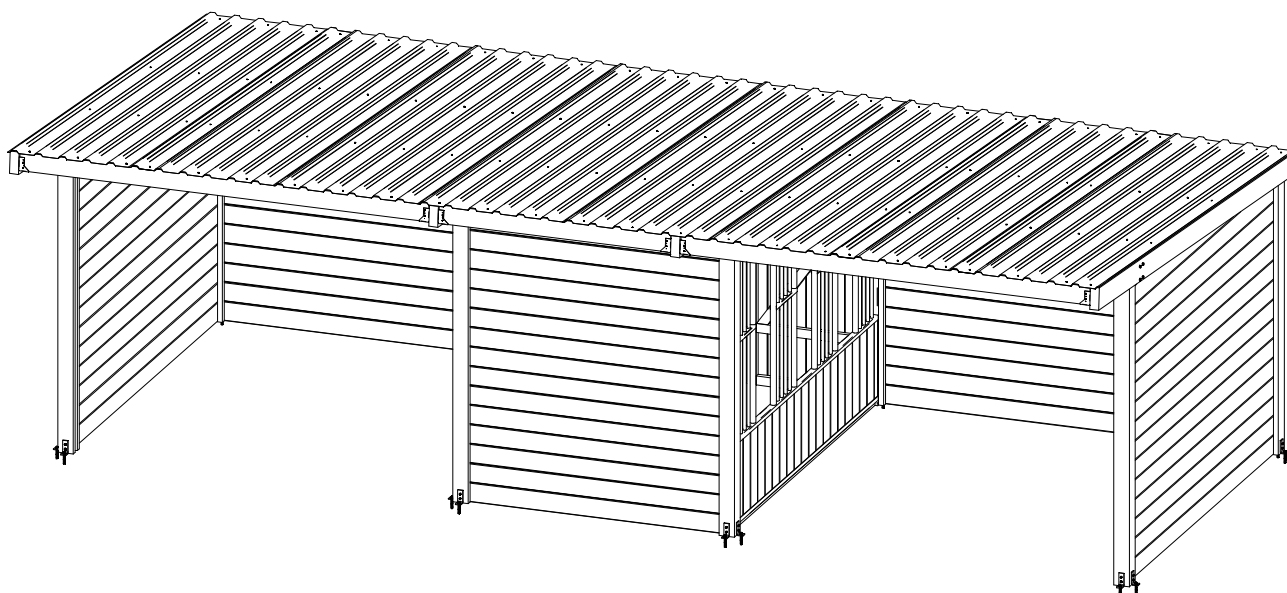
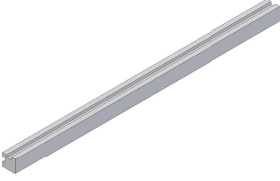






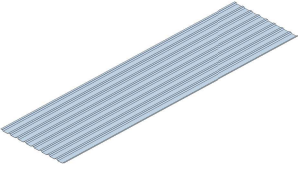
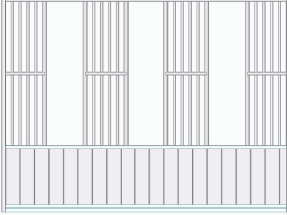
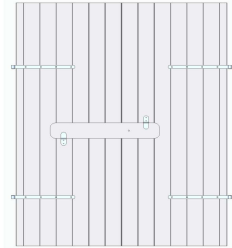
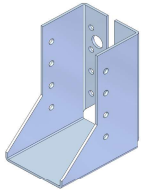
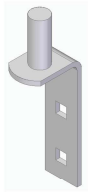
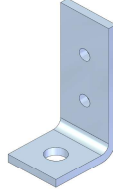









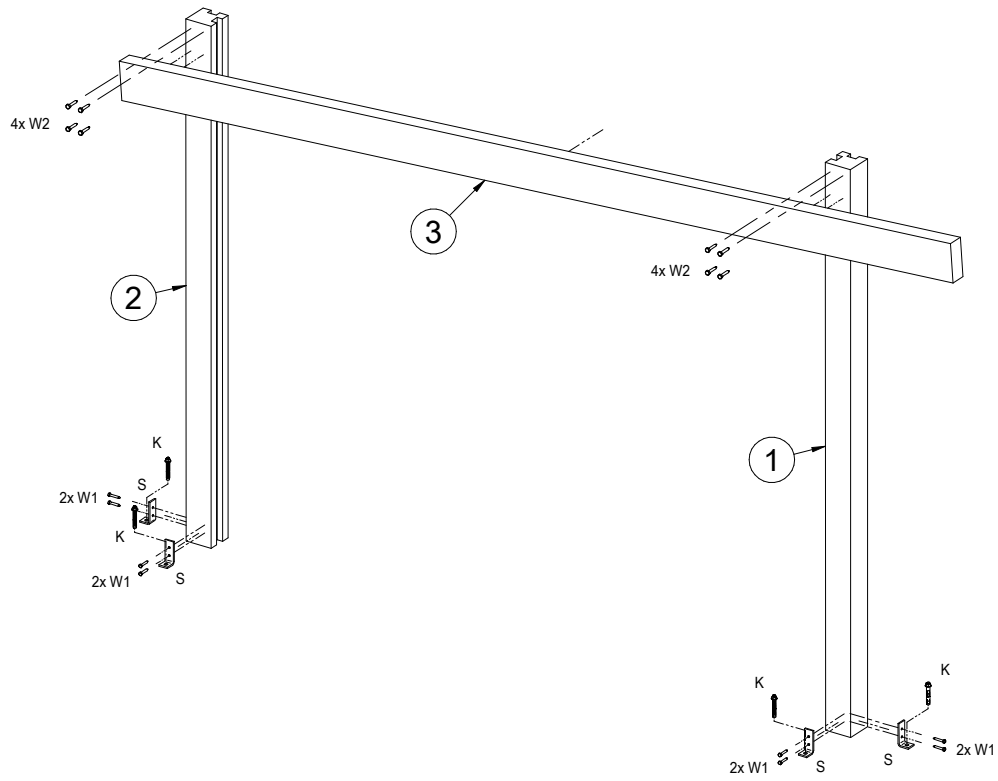
# NNUTRITG8TF MANUAL



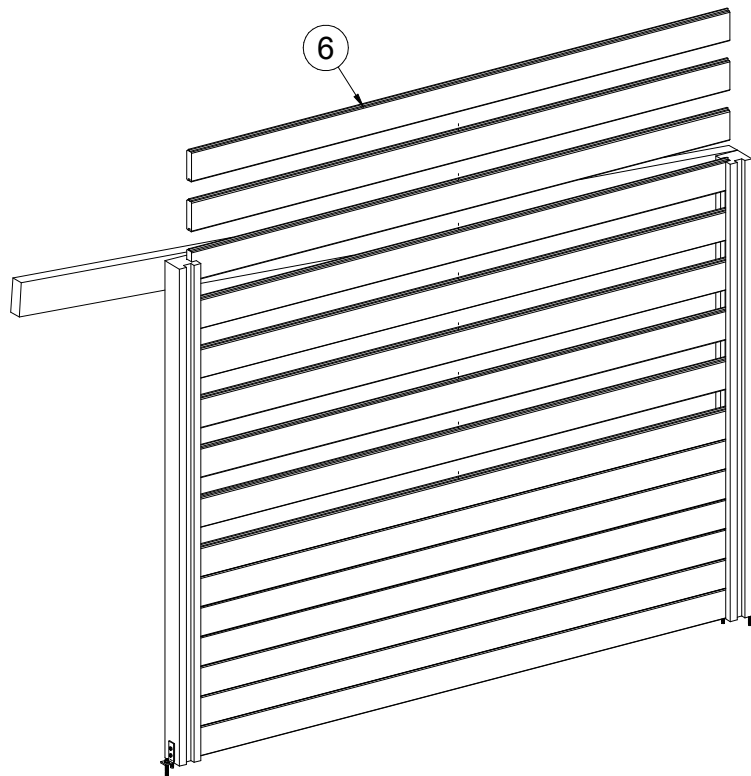
# NNUTRITG8TFSW - LIST OF PARTS

<p>1</p> <p>SP2700</p> <p><b>4x</b></p>  <p>Column 120x120x2700</p>	<p>2</p> <p>ST2500</p> <p><b>4x</b></p>  <p>Column 120x120x2500</p>	<p>3</p> <p><b>4x</b></p>  <p>Rafter 70x170x4000</p>	
<p>4</p> <p><b>6x</b></p>  <p>Purlin 48x140x3180</p>	<p>5</p> <p><b>4x</b></p>  <p>Purlin 48x140x2000</p>	<p>6</p> <p><b>80x</b></p>  <p>Plank 40x150x3000</p>	<p>7</p> <p><b>18x</b></p>  <p>Plank 40x150x2000</p>
<p>8</p> <p><b>8x</b></p>  <p>Delivered in 2 parts: -2800mm, -1450mm</p> <p>BTD-18</p>	<p>9</p> <p><b>2x</b></p>  <p>Partition</p>	<p>10</p> <p><b>1x</b></p>  <p>PORTE</p>	
<p>B</p> <p><b>20x</b></p>  <p>BMF</p>	<p>H</p> <p><b>4x</b></p>  <p>Hinge</p>	<p>S</p> <p><b>24x</b></p>  <p>Angle footing plate</p>	<p>K</p> <p><b>24x</b></p>  <p>Concrete anchor 14x80</p>
<p>W1</p> <p><b>44x</b></p>  <p>Screw 8x50</p>	<p>W2</p> <p><b>32x</b></p>  <p>Screw 8x120</p>	<p>W3</p> <p><b>264x</b></p>  <p>Screw 5x40 for BMF</p>	
<p>W4</p> <p><b>100x</b></p>  <p>Screw for BTD-18</p>	<p>W5</p> <p><b>8x</b></p>  <p>Screw 10x100</p>	<p>W6</p> <p><b>100x</b></p>  <p>Screw 5x70</p>	

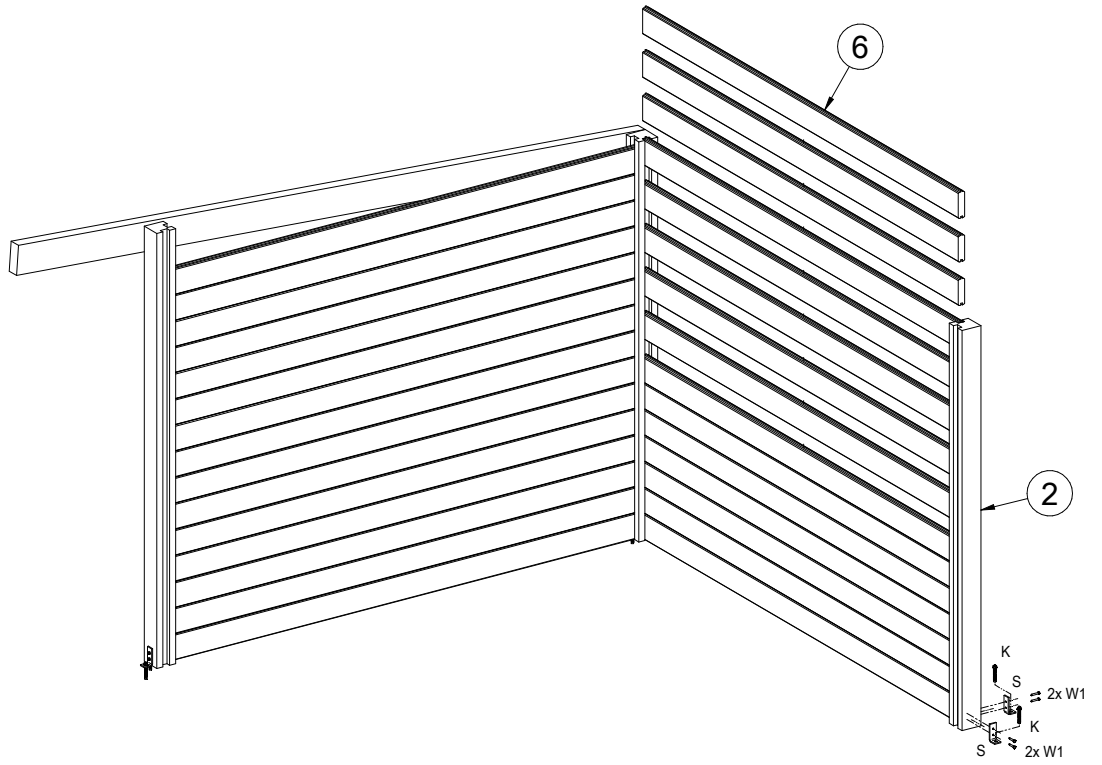
1



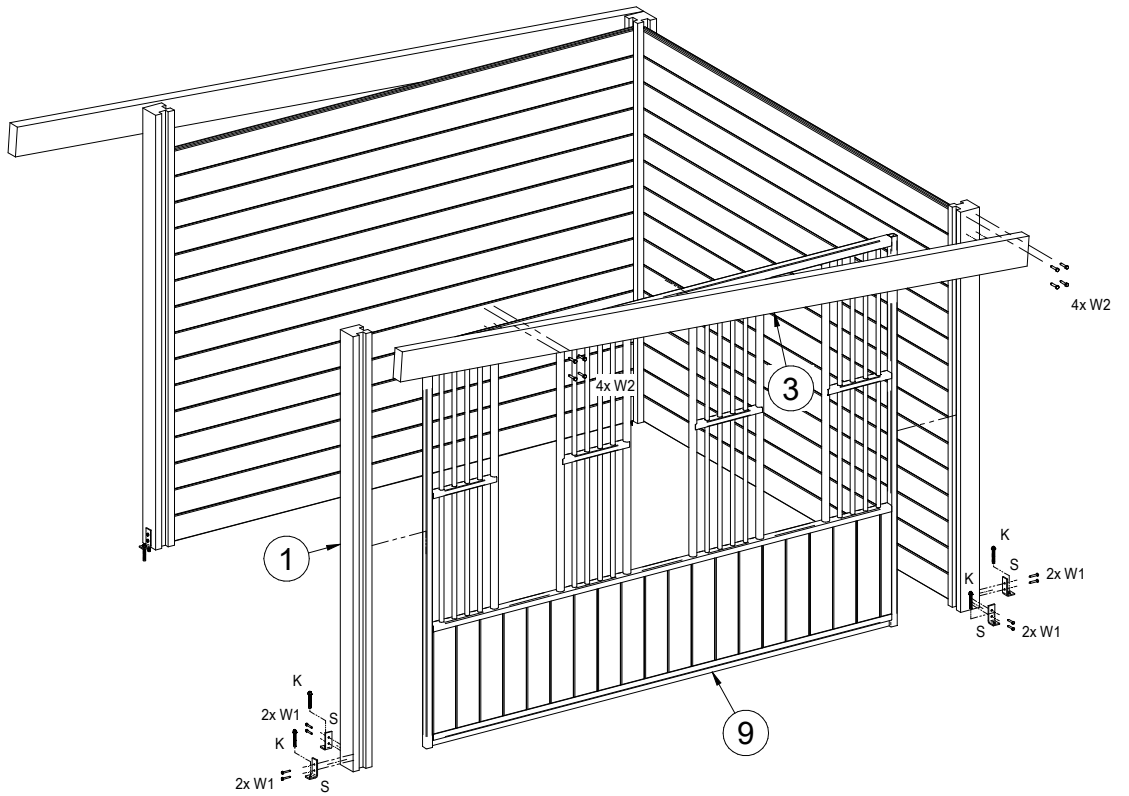
2



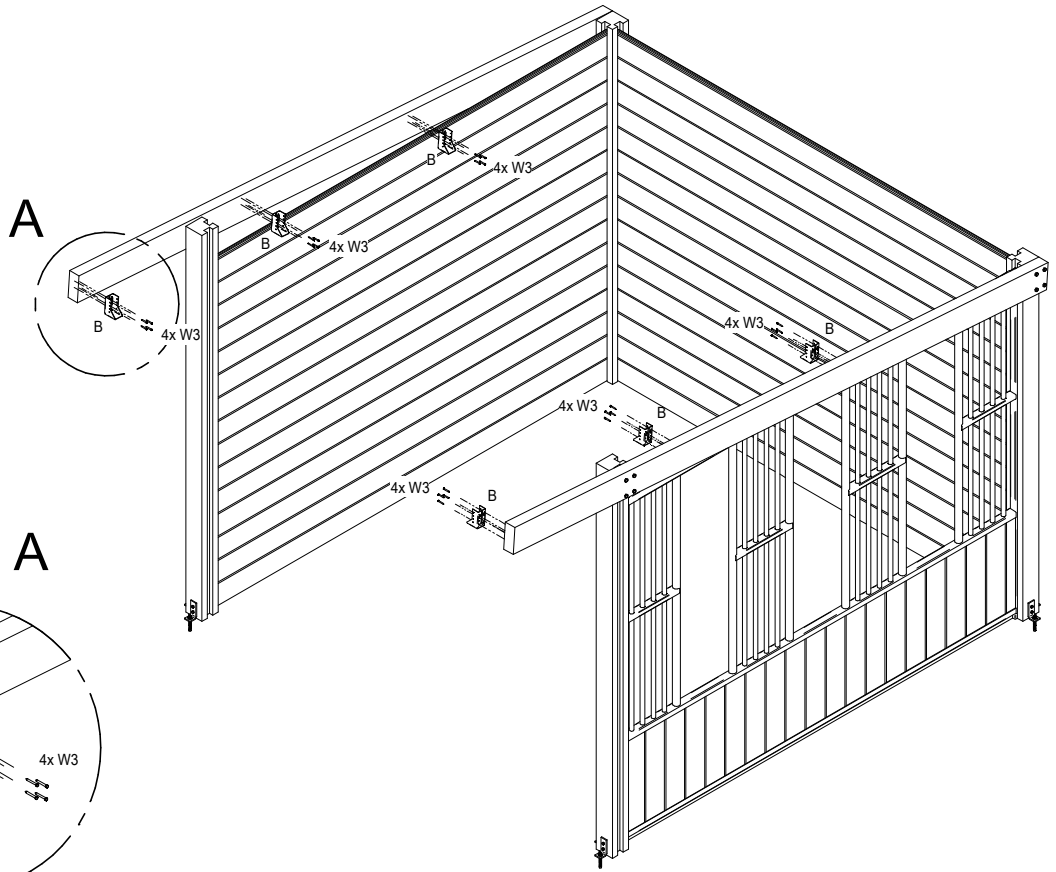
3



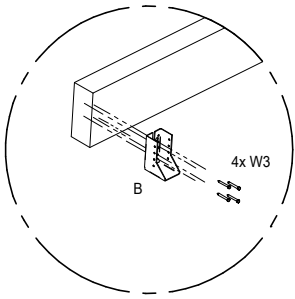
4



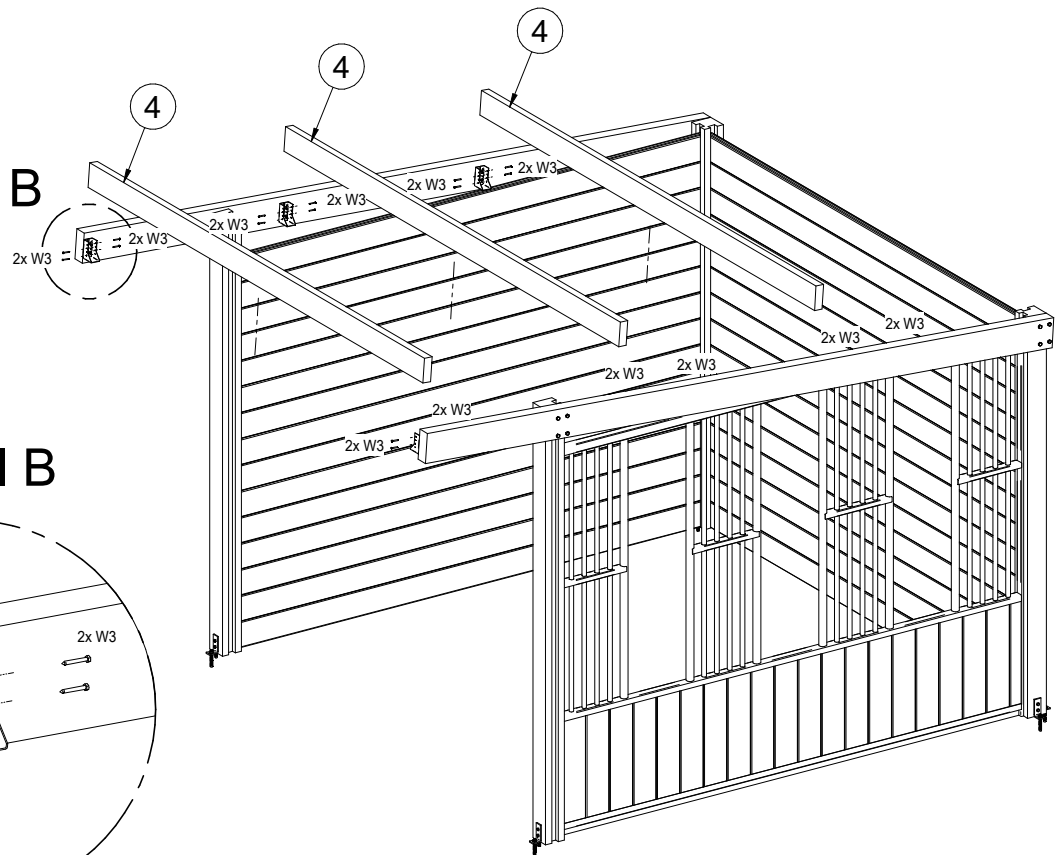
5



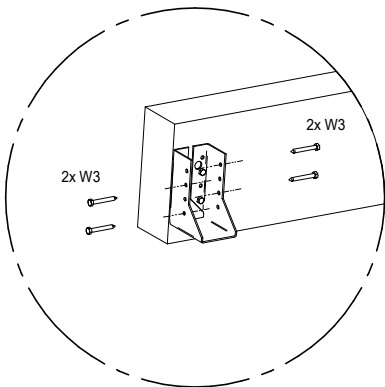
Detail A



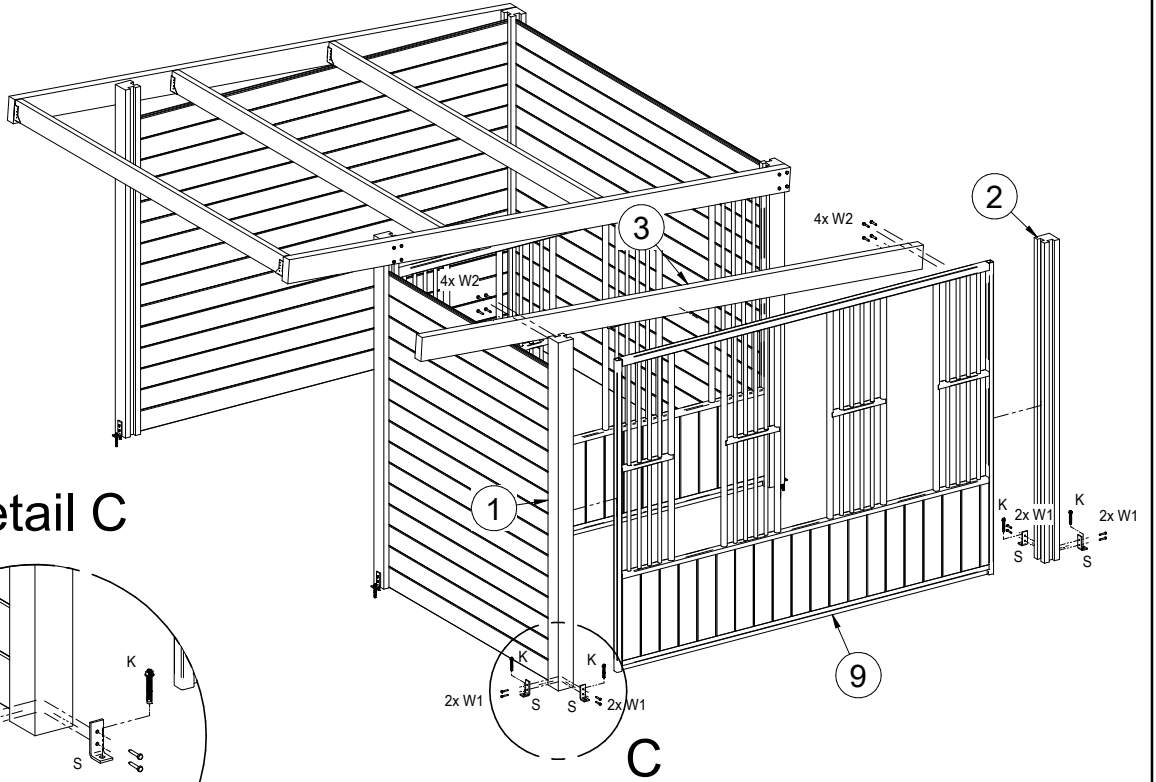
6



Detail B

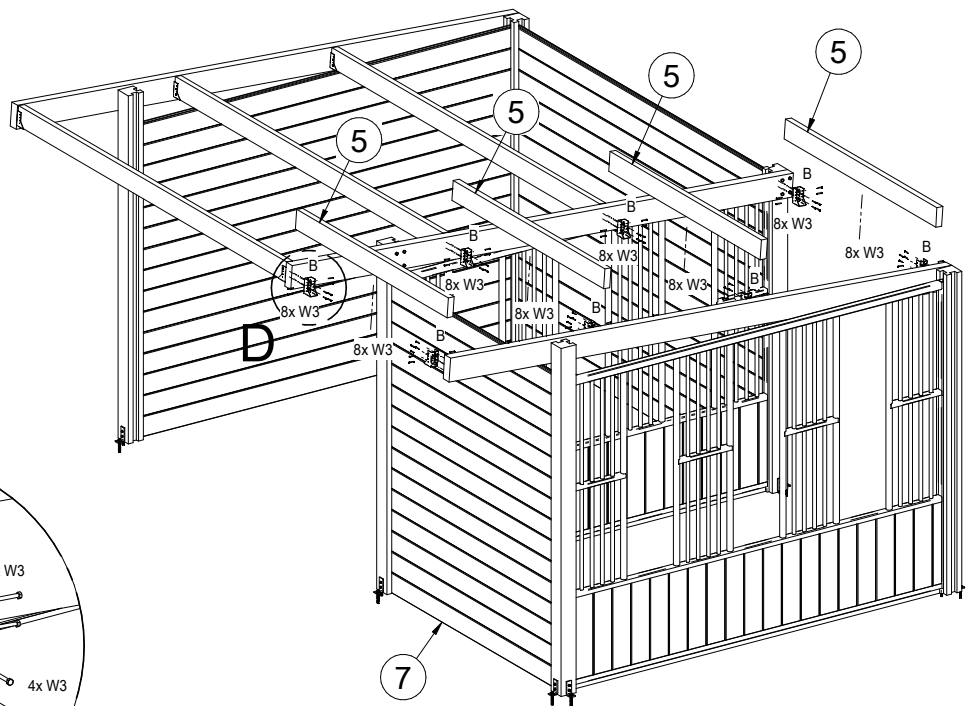


7



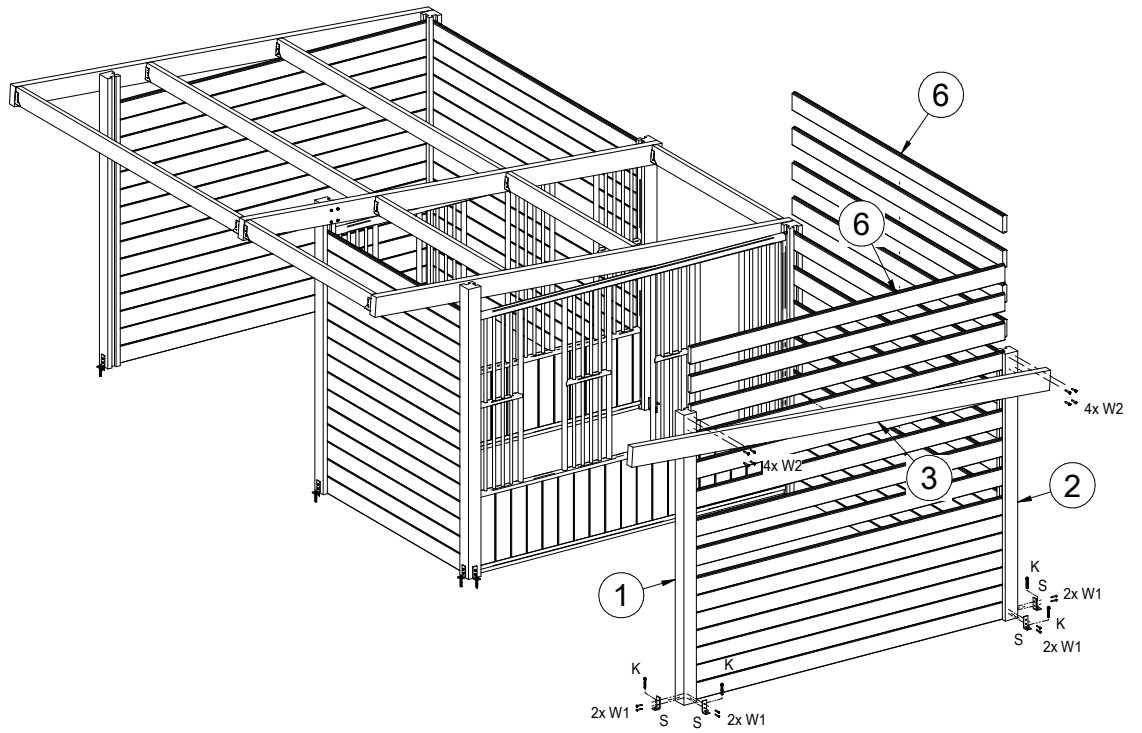
Detail C

8

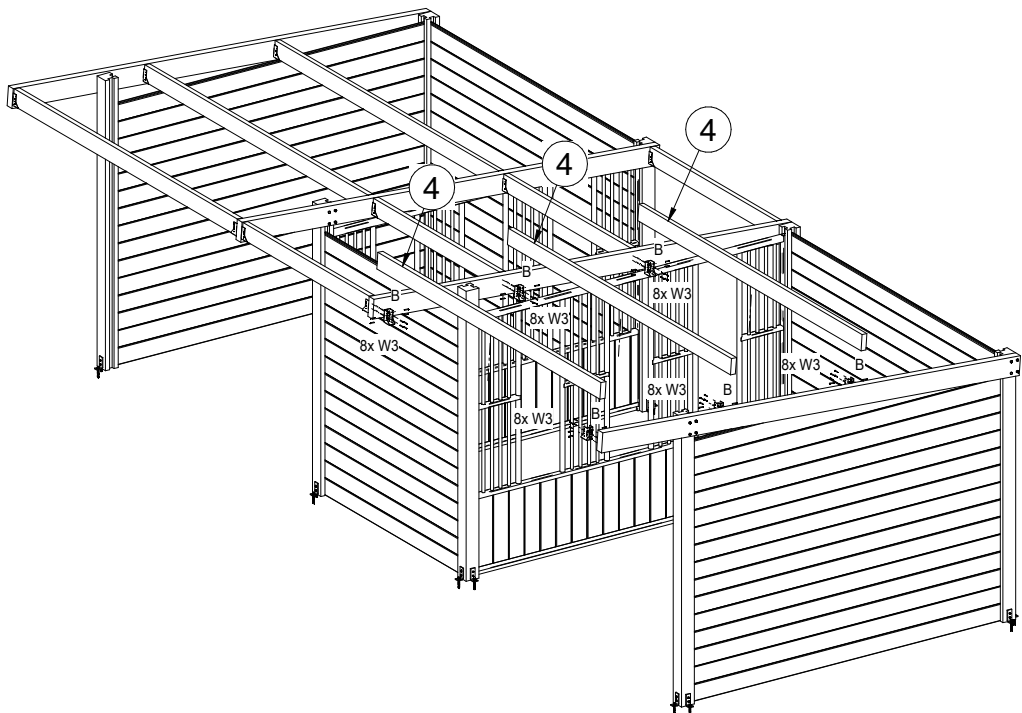


Detail D

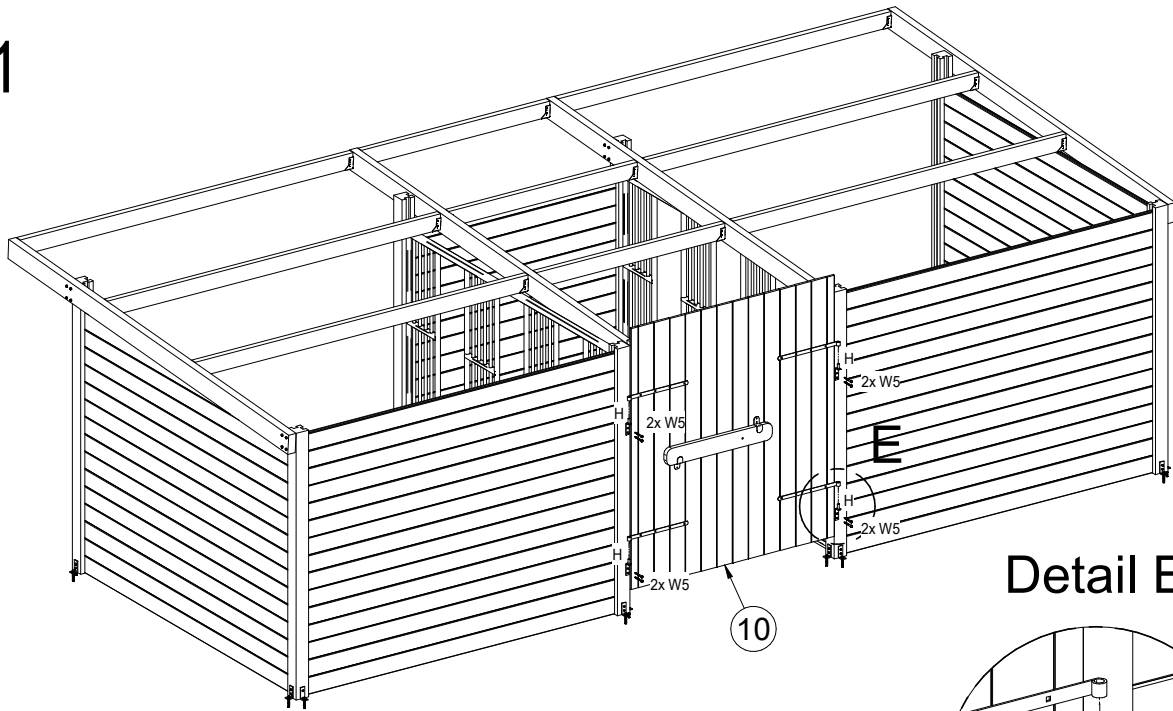
9



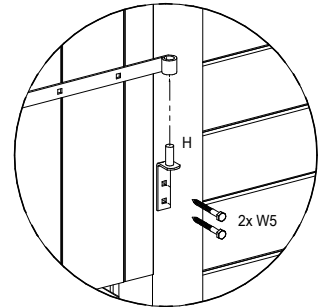
10



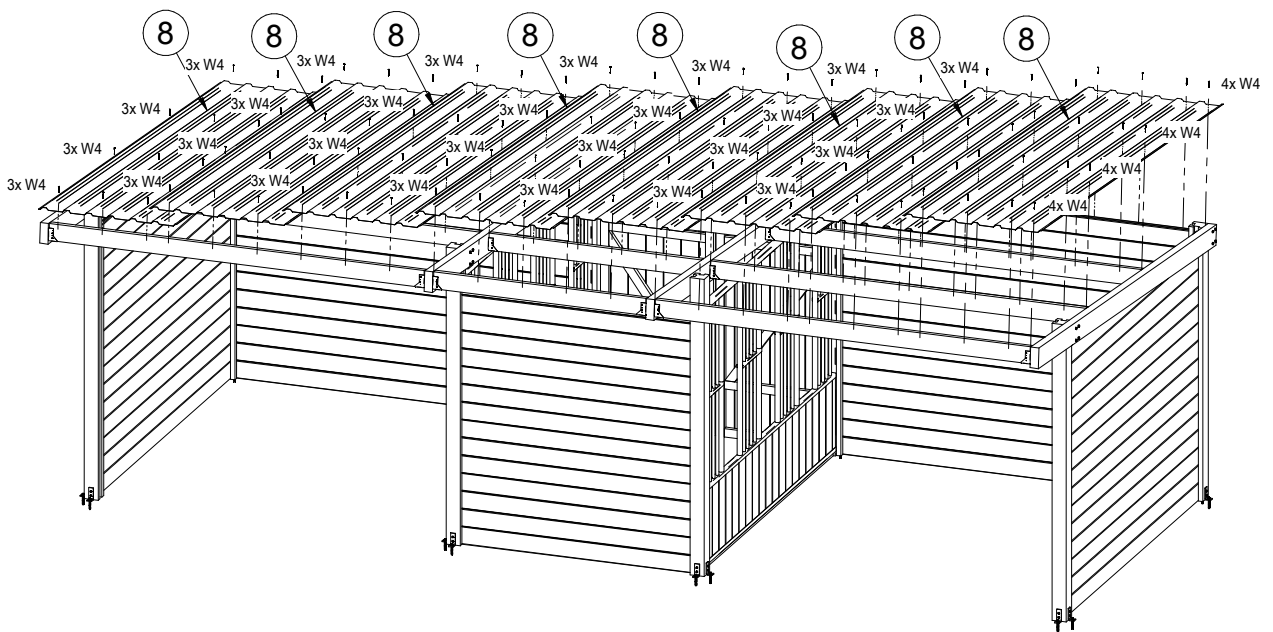
11



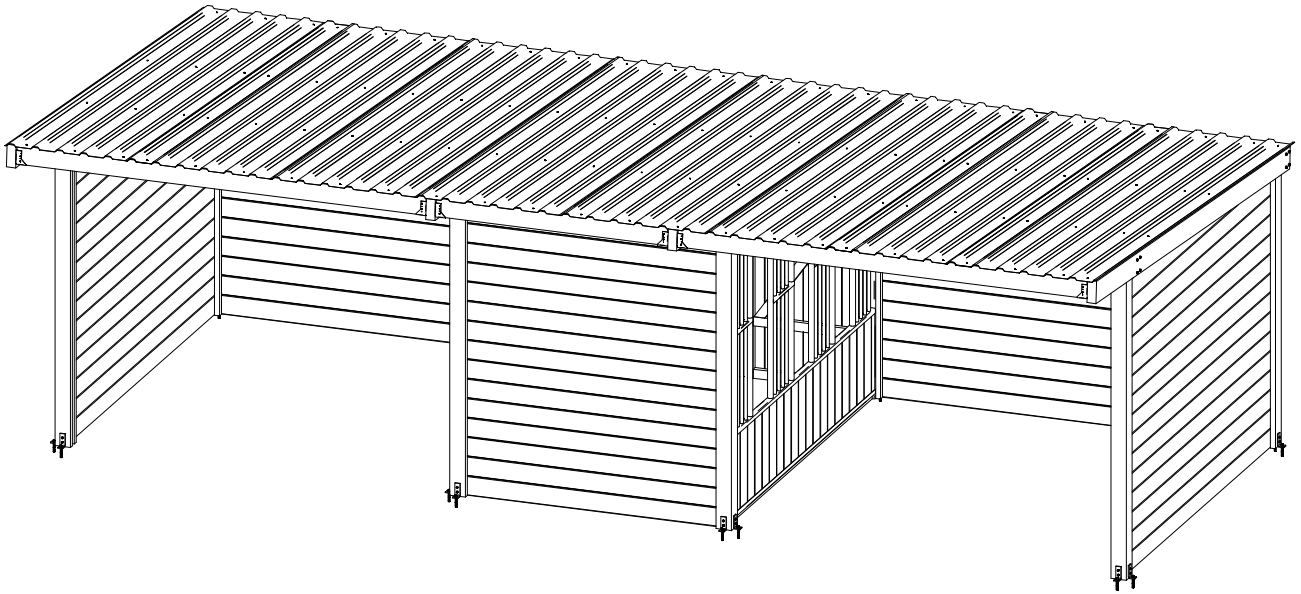
Detail E



12



13



NOTE: Fix every third plank to columns with a screw 5x70 in every field of wall.

14