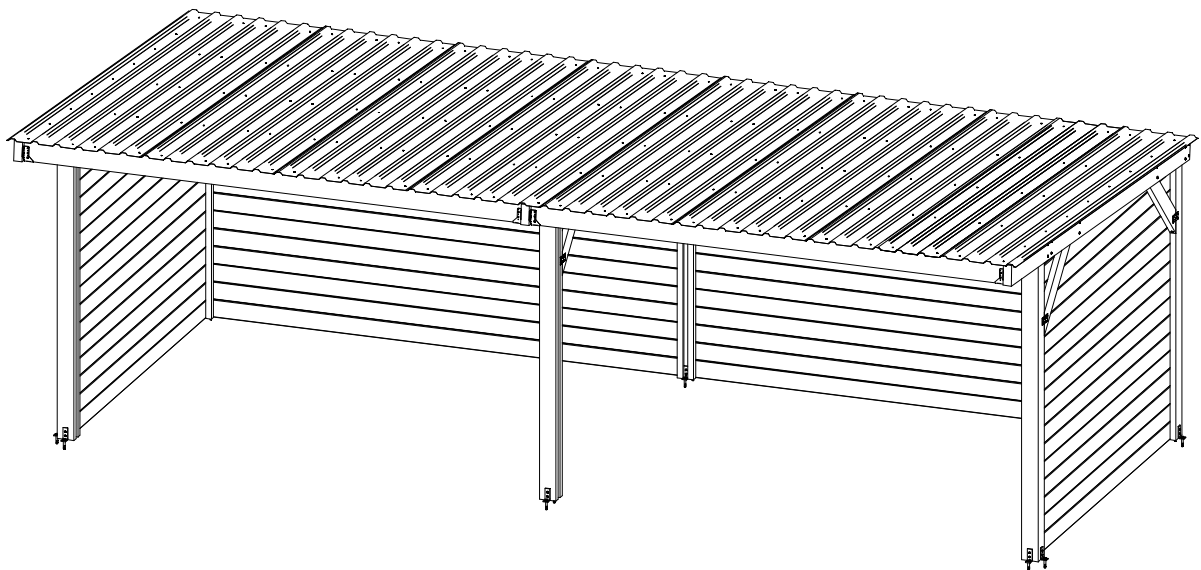


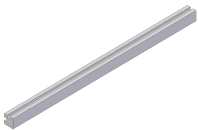
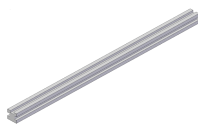

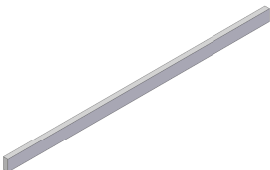
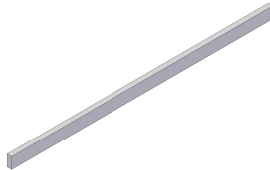
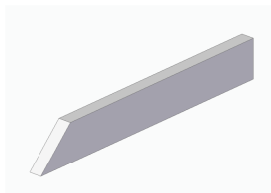
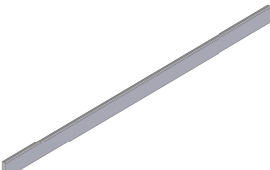
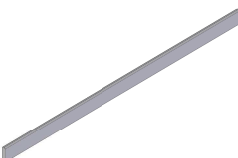
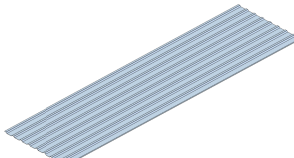

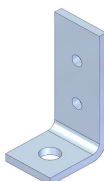


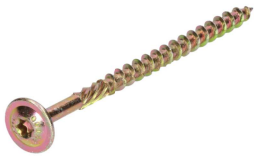



NABRITG8TFSW

ABRI CONFORT 3 x 8 m

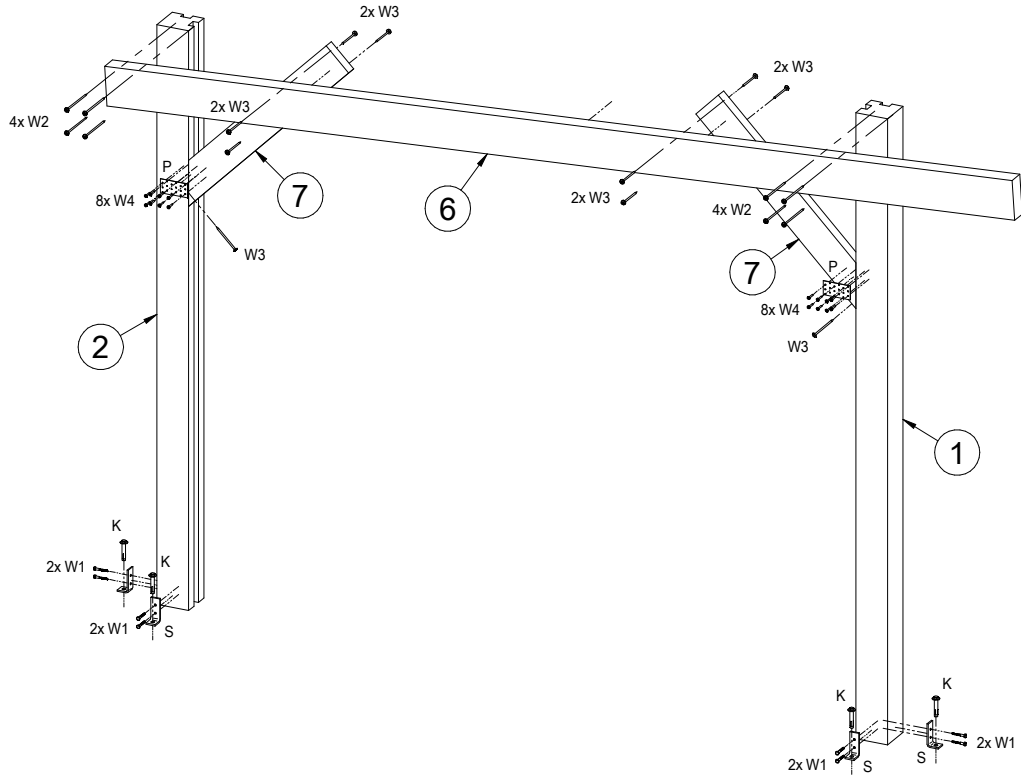
INSTALLATION GUIDE



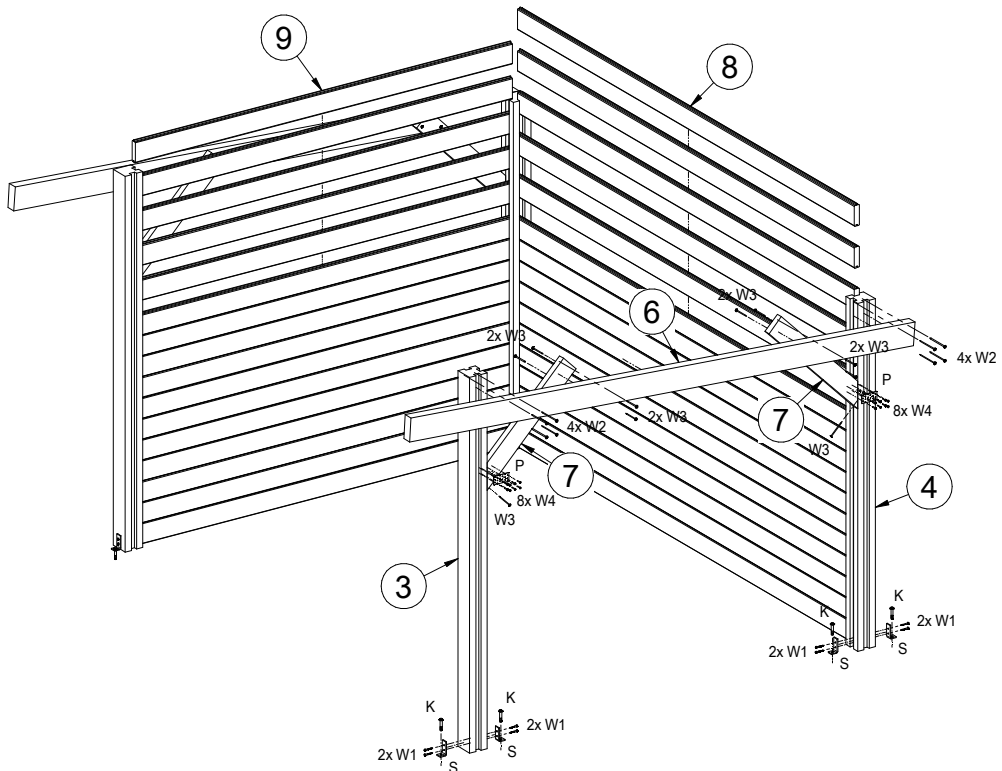
NABRITG8TFSW - LIST OF PARTS

1	2	3	4
2x 	2x 	1x 	1x 
Column 140x140x2700	Column 140x140x2500	Column 140x140x2700	Column 140x140x2500
5	6	7	
4x 	7x 	6x 	
Rafter 70x170x4230	Rafter 70x170x4020	Purlin 48x140x1000	
8	9	10	
38x 	38x 	8x 	
Board 40x150x4000	Board 40x150x3000	Delivered in 2 parts: -2800mm, -1450mm BTD-18	
B	P	S	K
16x 	6x 	16x 	16x 
BMF	Perforated plate	Angle footing plate	Concrete anchor 14x80
W1	W2	W3	
32x 	24x 	30x 	
Screw 8x50	Screw 8x180 TORX	Screw 8x120 TORX	
W4	W5	W6	
288x 	168x 	100x 	
Screw 5x40 TORX	Screw for BTD-18	Screw 5x70	

1

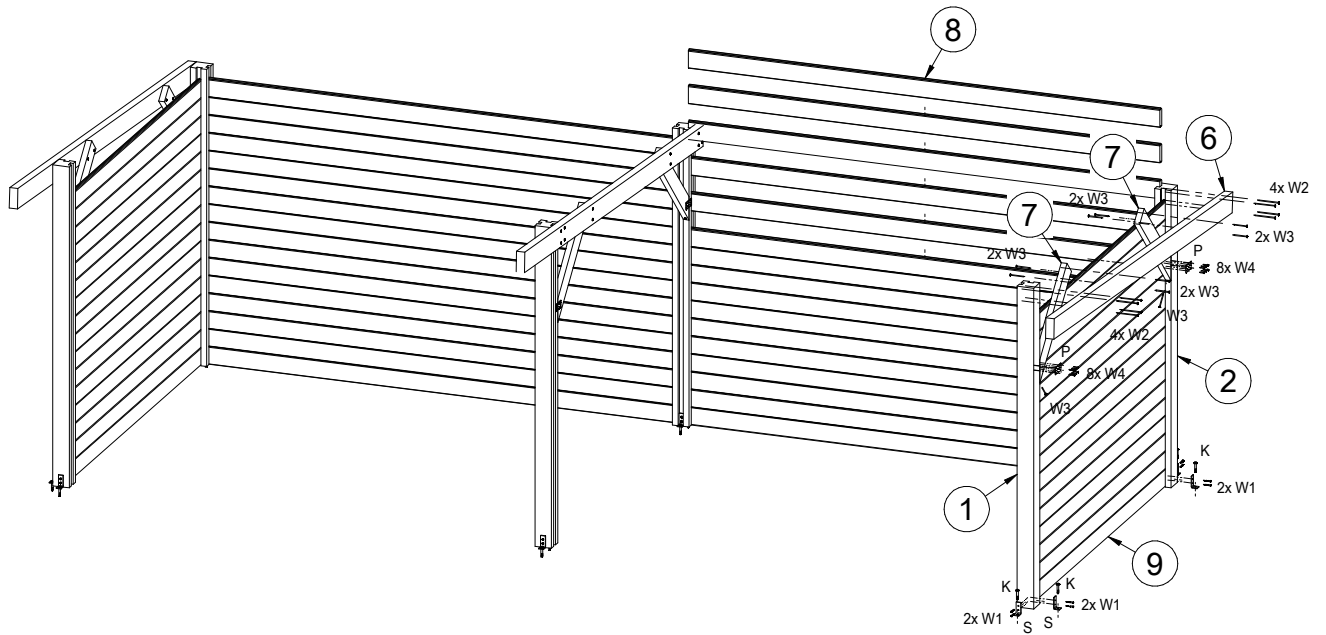


2



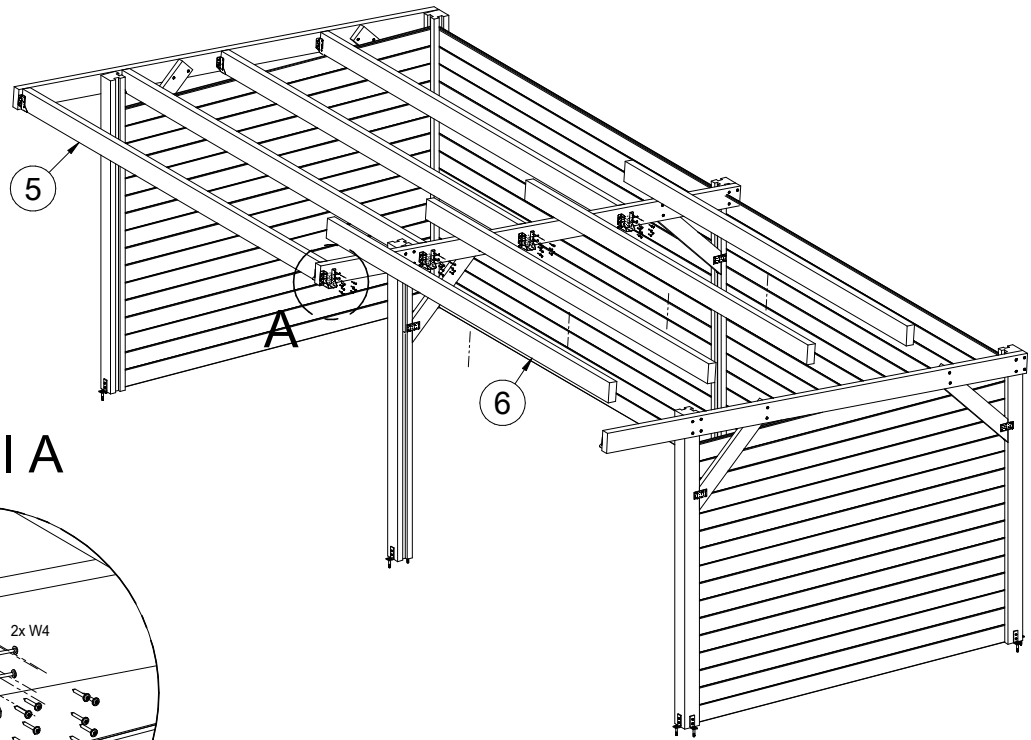
NOTE: Fix every third plank to columns with a screw 5x70 (W6) in every field of wall.

3

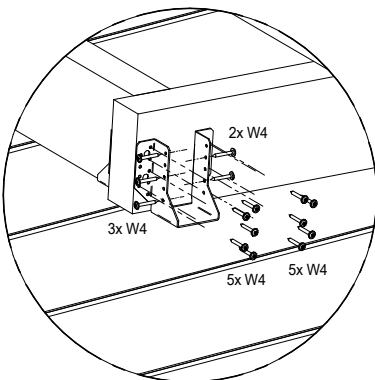


NOTE: Fix every third plank to columns with a screw 5x70 (W6) in every field of wall.

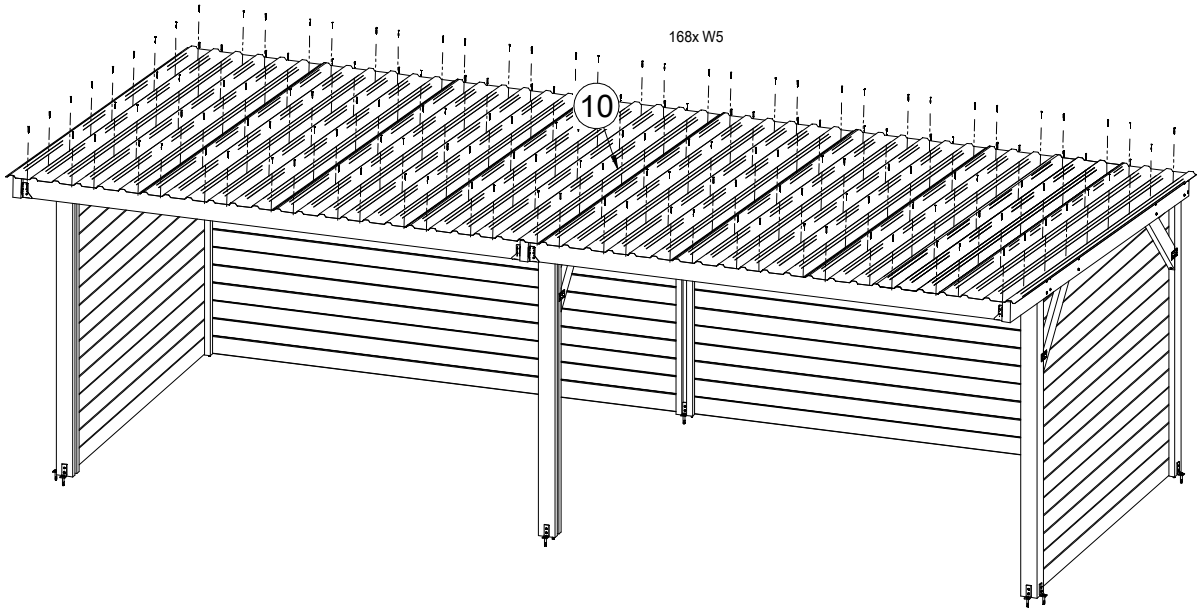
4



Detail A



5



6

